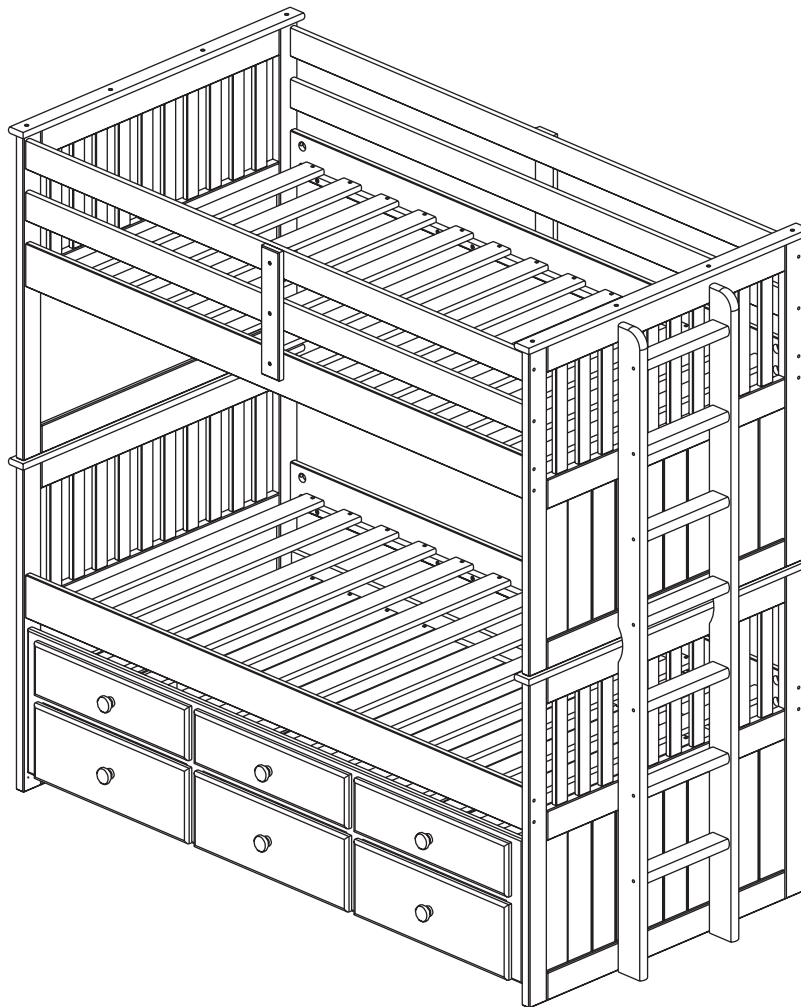




# Captains Bunk Bed Twin over Twin with Trundle and Drawers Bedz King BK 575



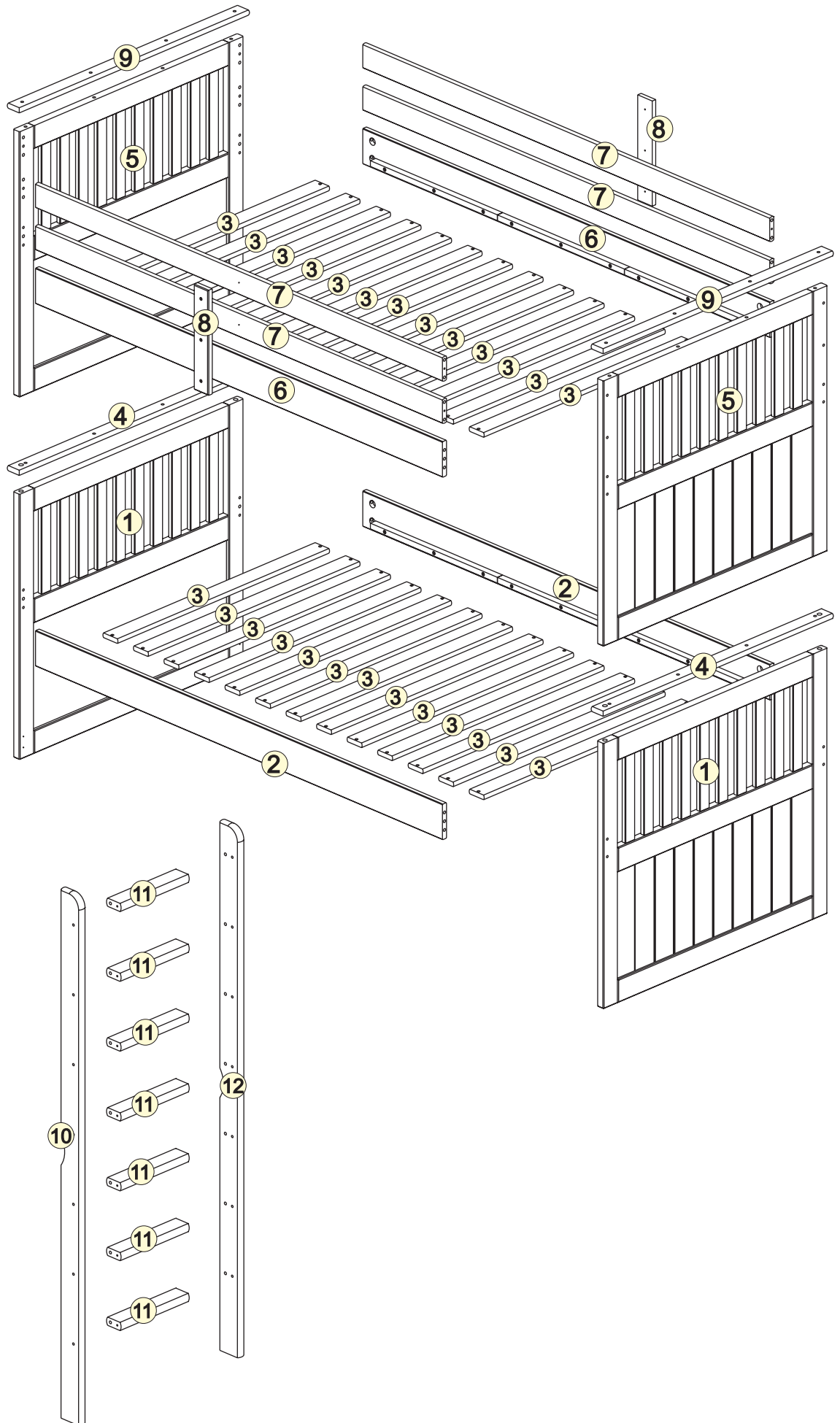
Thank you for purchasing your Furniture from Bedz King.

Every effort has been made to ensure your Furniture is of the finest quality. If you have any questions, please do not hesitate to contact us at [info@bedzking.com](mailto:info@bedzking.com)

**READ THESE INSTRUCTIONS CAREFULLY BEFORE  
ATTEMPTING TO ASSEMBLE THIS BED**

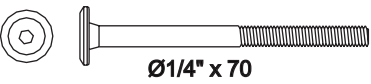

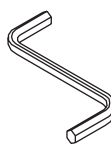

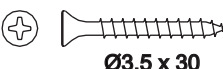
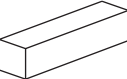
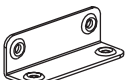
**SAFETY WARNINGS AND GENERAL NOTES**




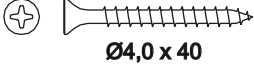
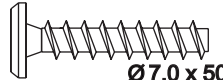
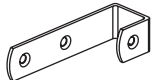
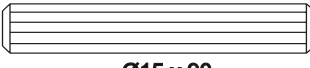

- ✓ Follow the information on the warning labels on the upper bunk bed structure and on the carton. Do not remove warning label from the bed.
- ✓ Always use the recommended size mattress or mattress support, or both, to help prevent the likelihood of entrapment or falls. (See page 8)
- ✓ The top surfaces of the mattress must be at least 5” below the upper edge of the guardrails. (See page 8)
- ✓ **Do not** allow children under 6 years of age to use the upper bunk.
- ✓ **Prohibit** more than one person on the upper bunk.
- ✓ Periodically check and ensure that the guardrails, ladder and other components are in their proper position, free from damage, and that all connectors are tight.
- ✓ **Do not** allow horseplay on or under the bed. Always prohibit jumping on the bed.
- ✓ Always use the ladder for entering and leaving the upper bunk.
- ✓ **Do not** use substitute parts. Contact the manufacturer or dealer for replacement parts.
- ✓ Use of a night-light may provide added safety for a child using the upper bunk.
- ✓ If the bunk bed will be placed next to the wall, the guardrail that runs the full length of the bed should be placed against the wall to prevent entrapment between the bed and the wall.
- ✓ Always use guardrails on both long sides of the upper bunk.
- ✓ The use of a water or sleep floatation mattress is prohibited.
- ✓ Keep these instructions for future reference.
- ✓ We recommend assembling your bunk bed on the shipping carton to protect your floor or carpet. Be certain all staples are out of the box before beginning assembly on the shipping carton.
- ✓ **Strangulation Hazard** Never attach or hang items to any part of the bunk bed that are not designed for use with the bed for example, but not limited to hooks, belts, and jump ropes.



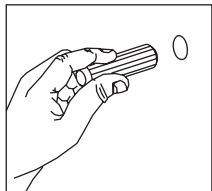
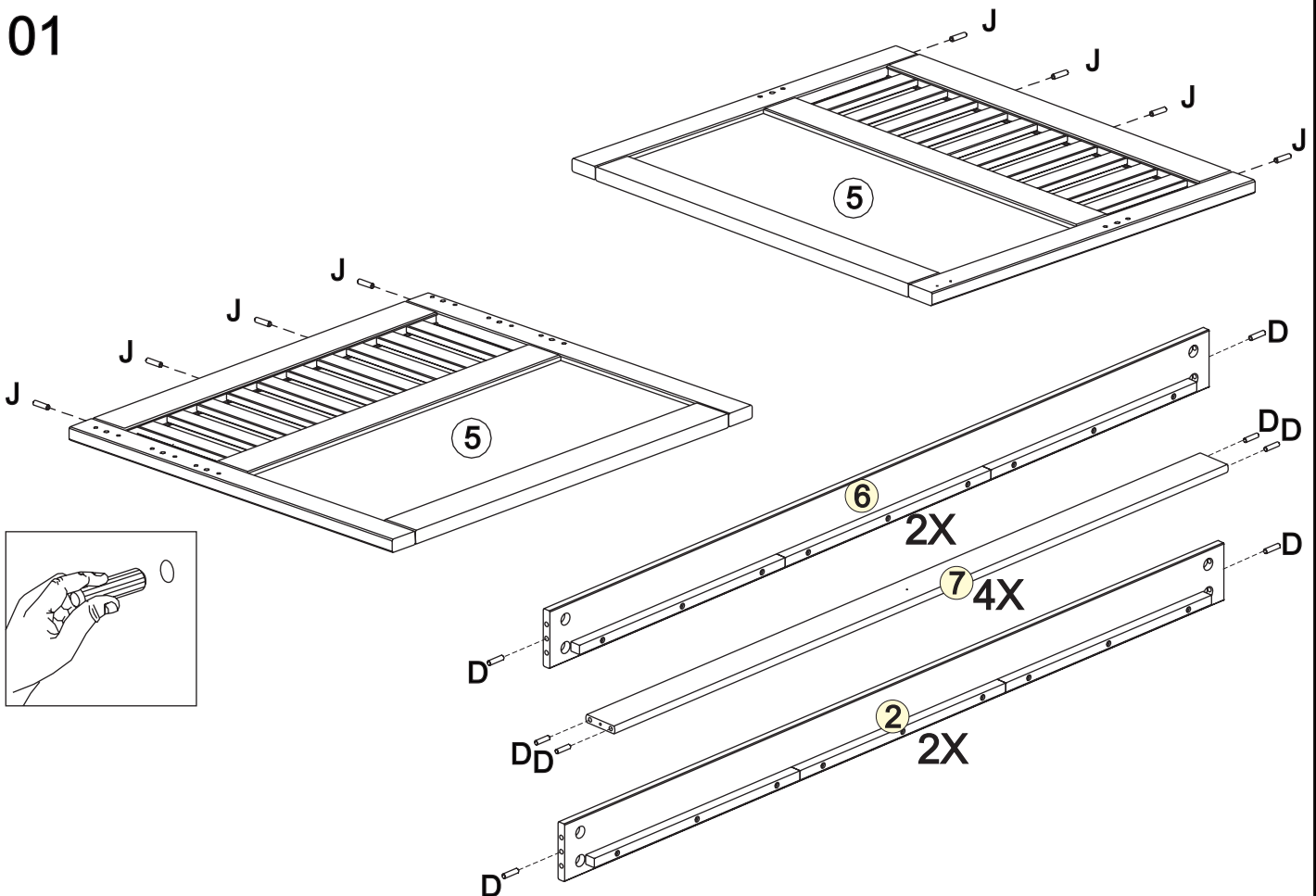
# HARDWARE

Letras  
 Sim  Não


A	 Ø1/4" x 70	16
B		16
C		01
D	 Ø10 x 40	38
E	 Ø3,5 x 30	58
F		02
G		02

H	 Ø3,5 x 16	04
I	 Ø10mm	08
J	 Ø10 x 30	08
K	 Ø4,0 x 40	16
L	 Ø7,0 x 50	22
M		04
N	 Ø15 x 90	04
O	 Ø 3,5x25	12

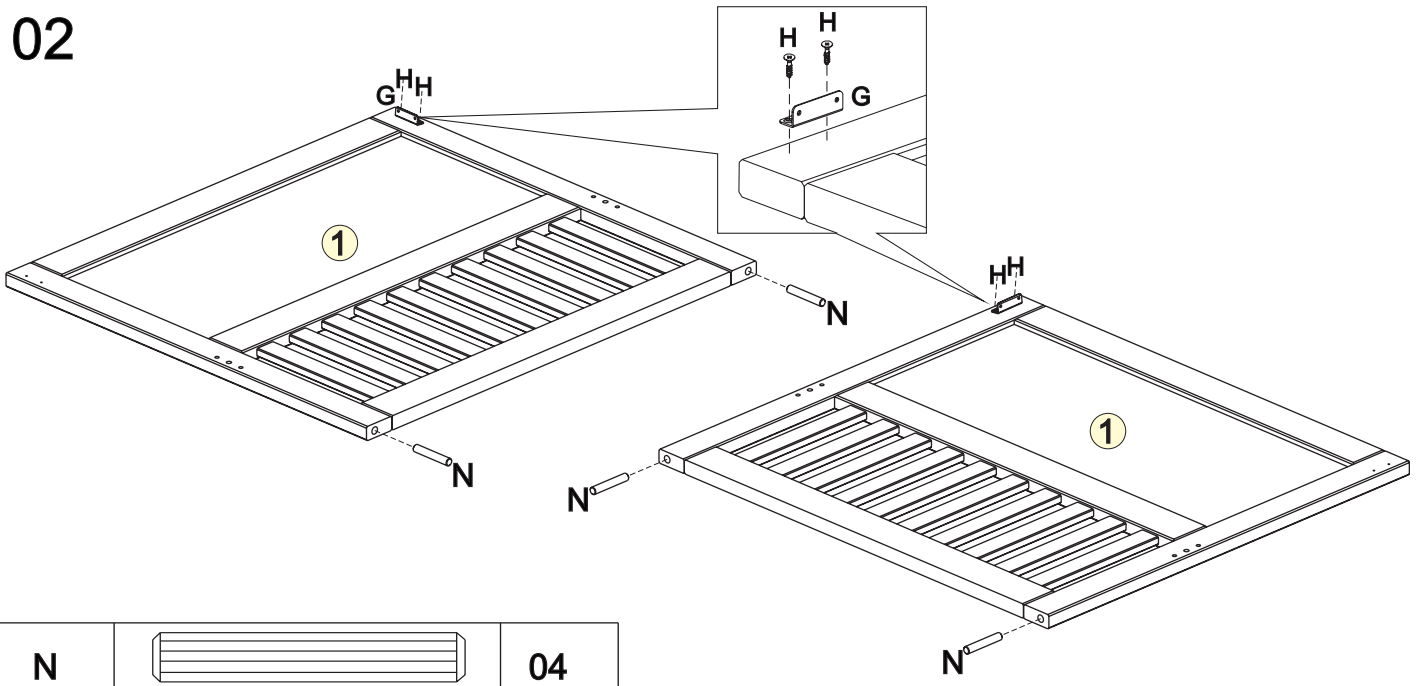
01

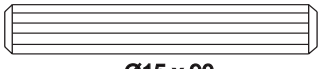
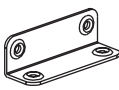



D	 Ø10 x 40	24
---	---	----

J	 Ø10 x 30	08
---	--	----

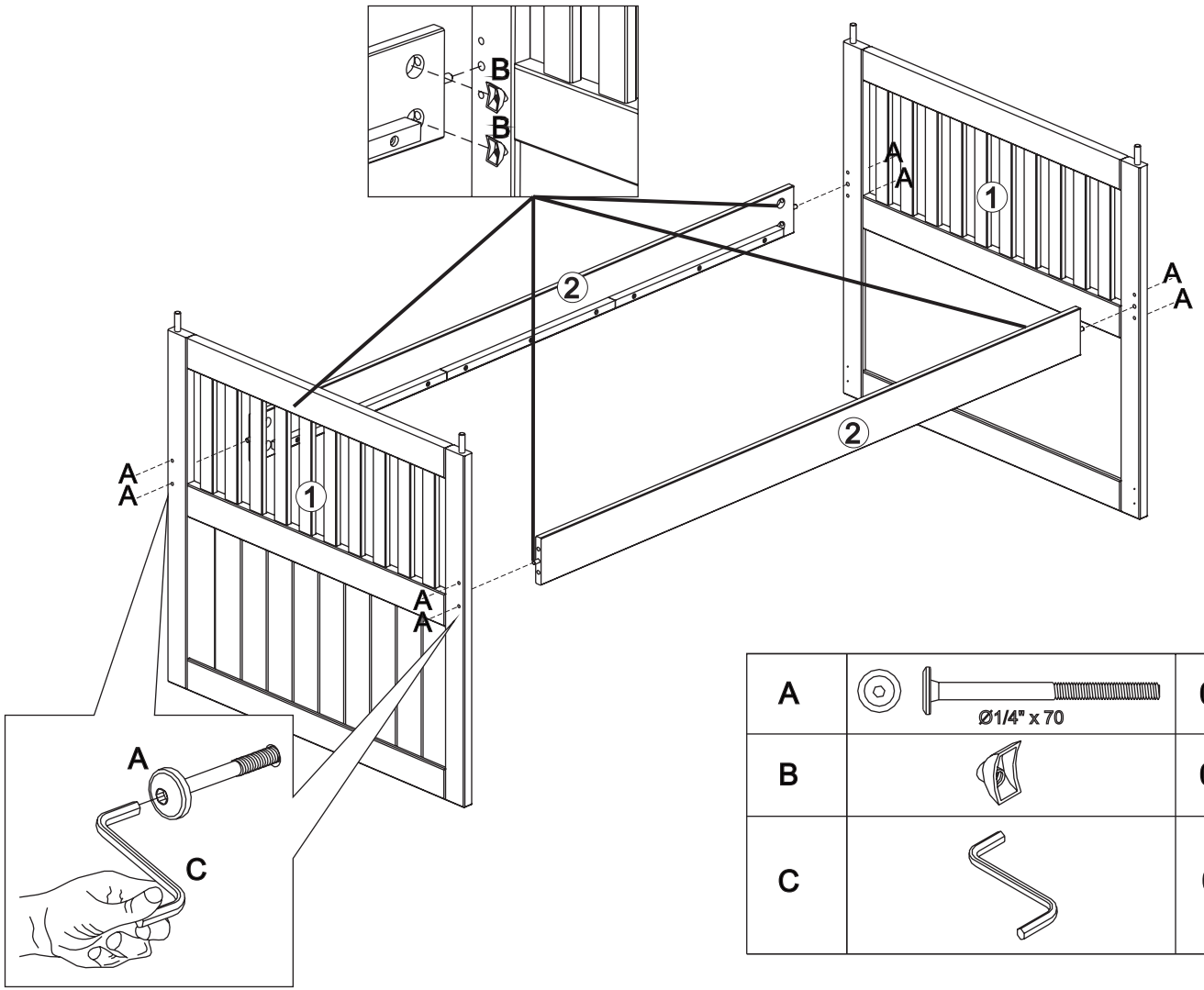
02

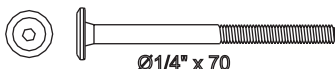

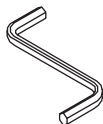


N	 Ø15 x 90	04
G		02

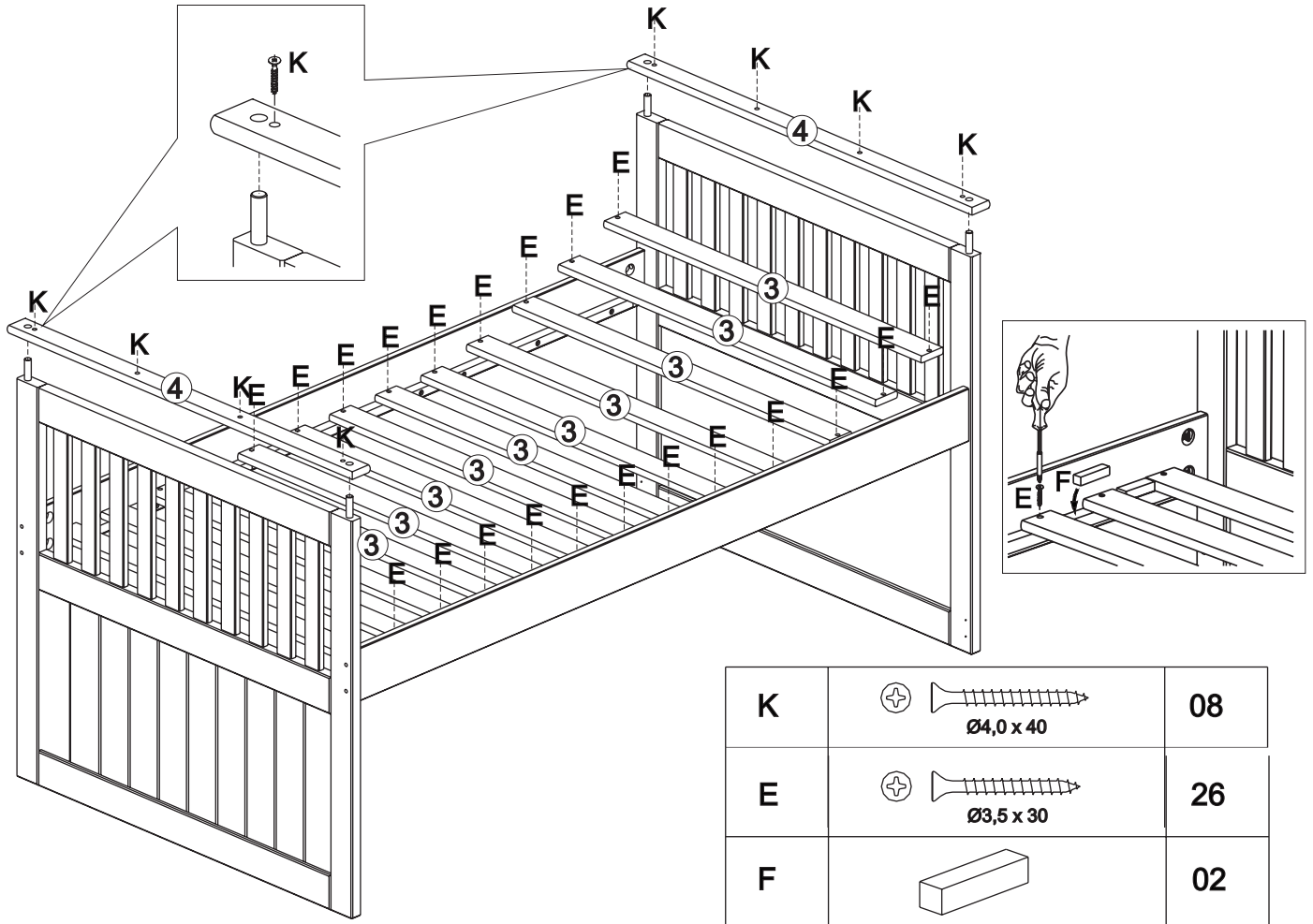
H	 Ø3,5 x 16	04
---	---	----

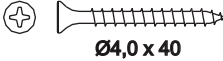
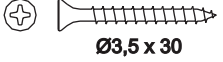
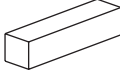
03



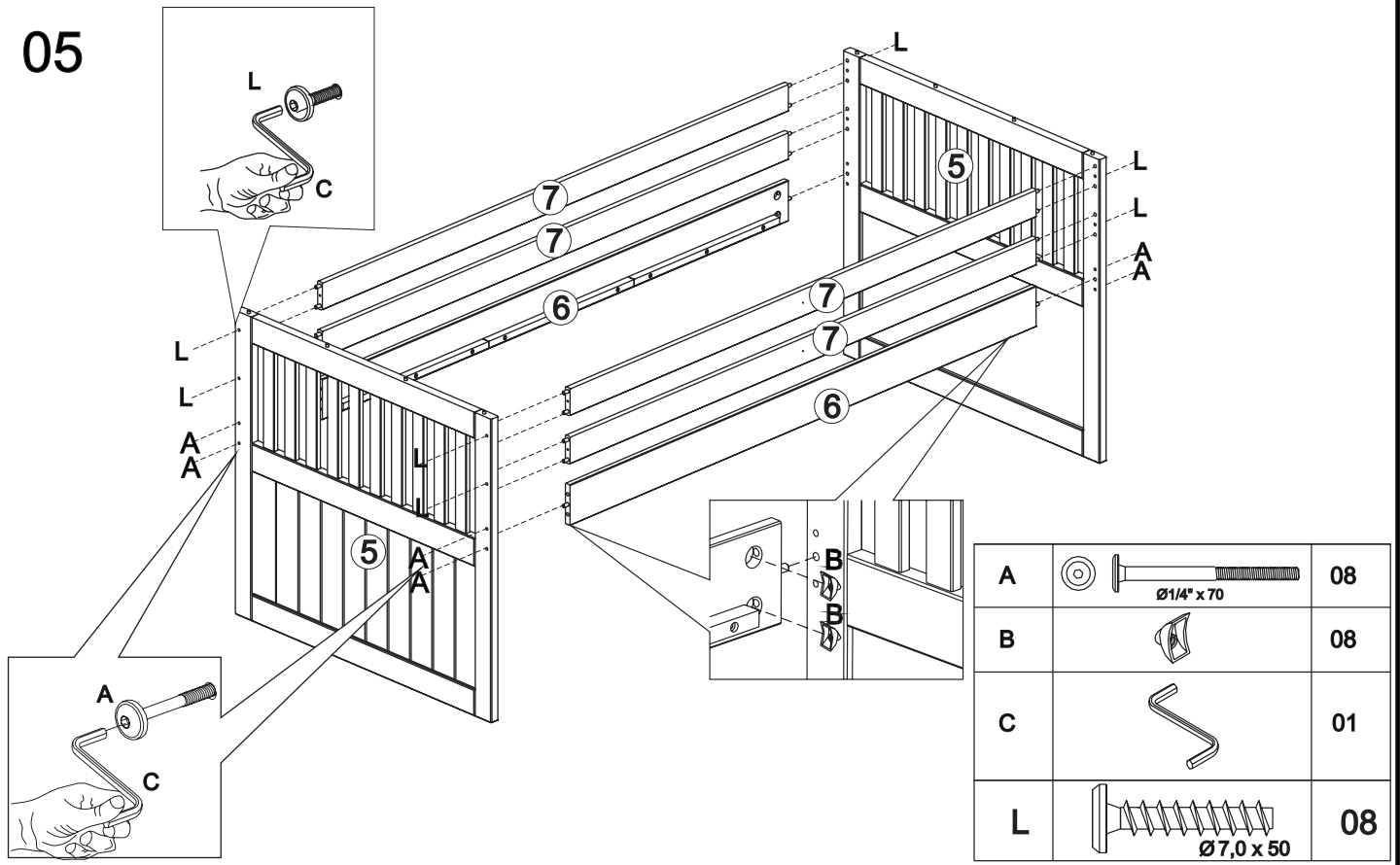
A	 Ø1/4" x 70	08
B		08
C		01

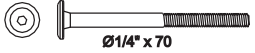

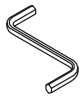

04



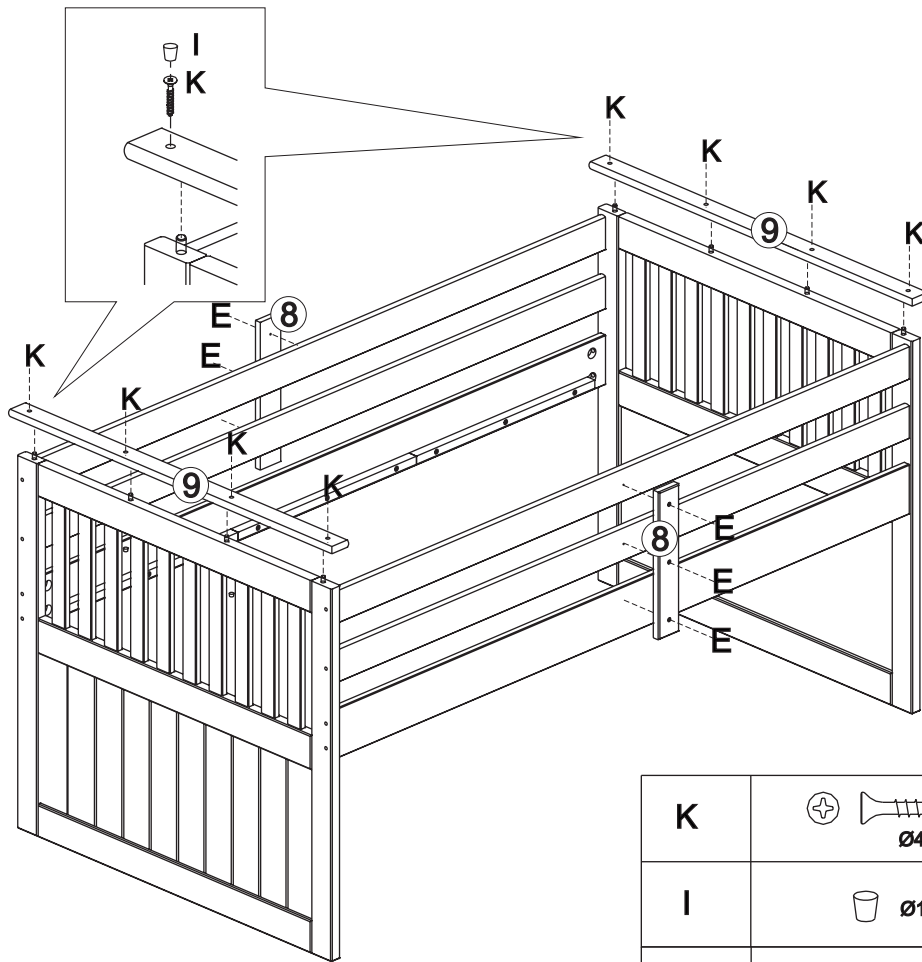
K	 Ø4,0 x 40	08
E	 Ø3,5 x 30	26
F		02


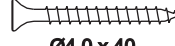


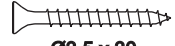
05



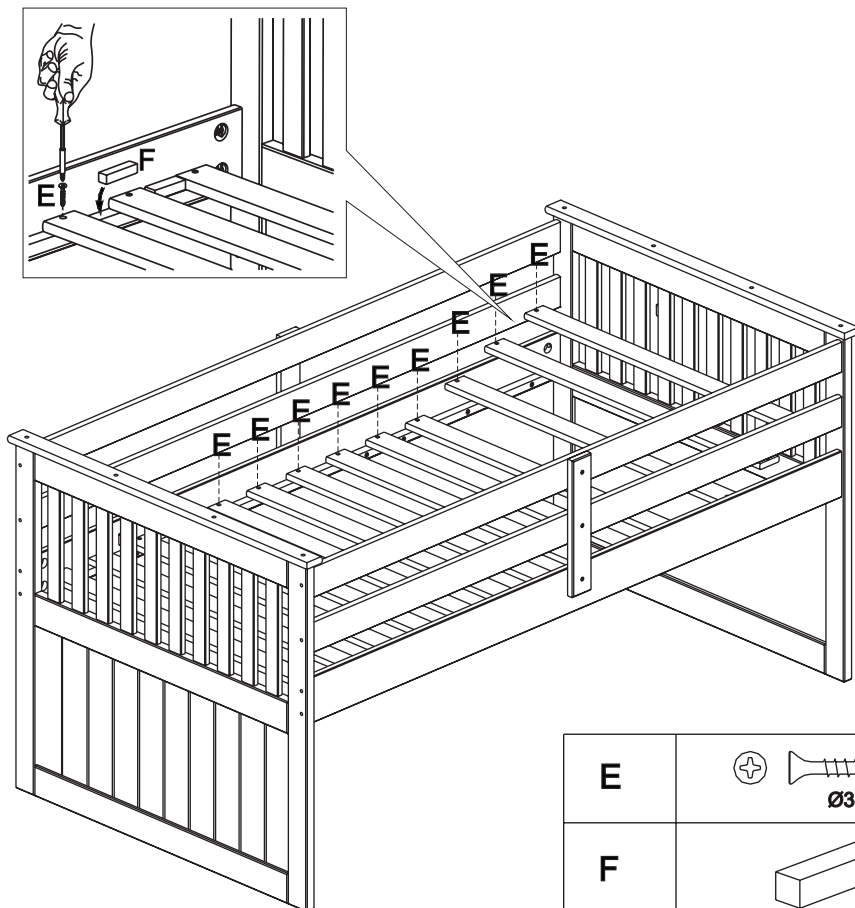
A	 Ø1/4\" data-bbox="732 795 892 818"/> 70	08
B		08
C		01
L	 Ø7,0 x 50	08


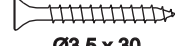
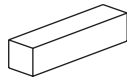
06



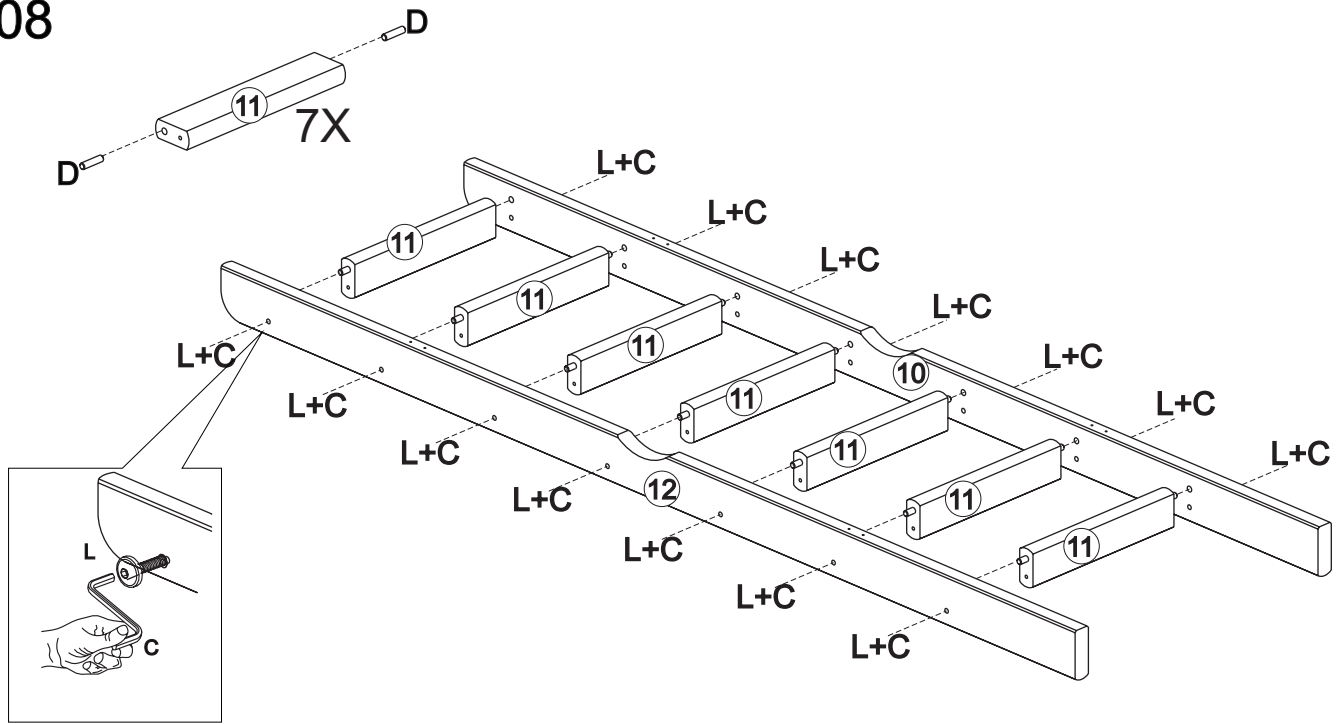
K	  Ø4,0 x 40	08
I	 Ø10	08
E	  Ø3,5 x 30	06

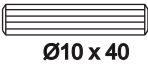
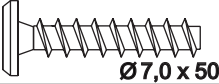
07

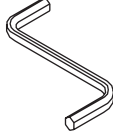


E	  Ø3,5 x 30	26
F		02

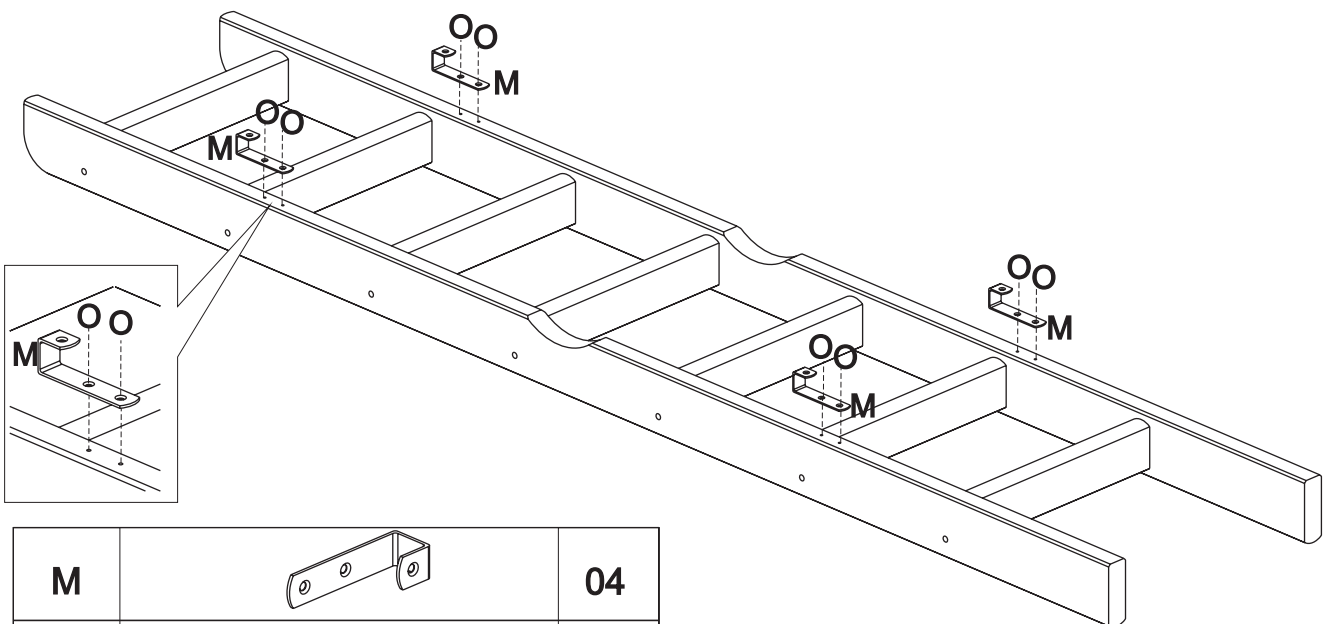
08

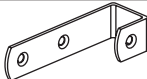



D		14
L		14

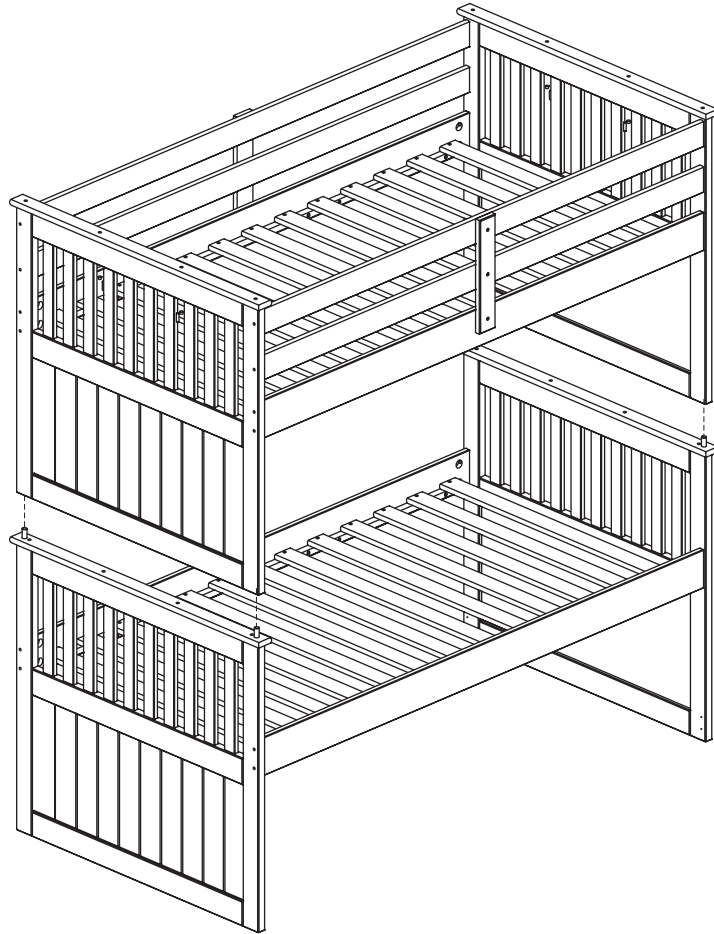
C		01
---	--	----

09

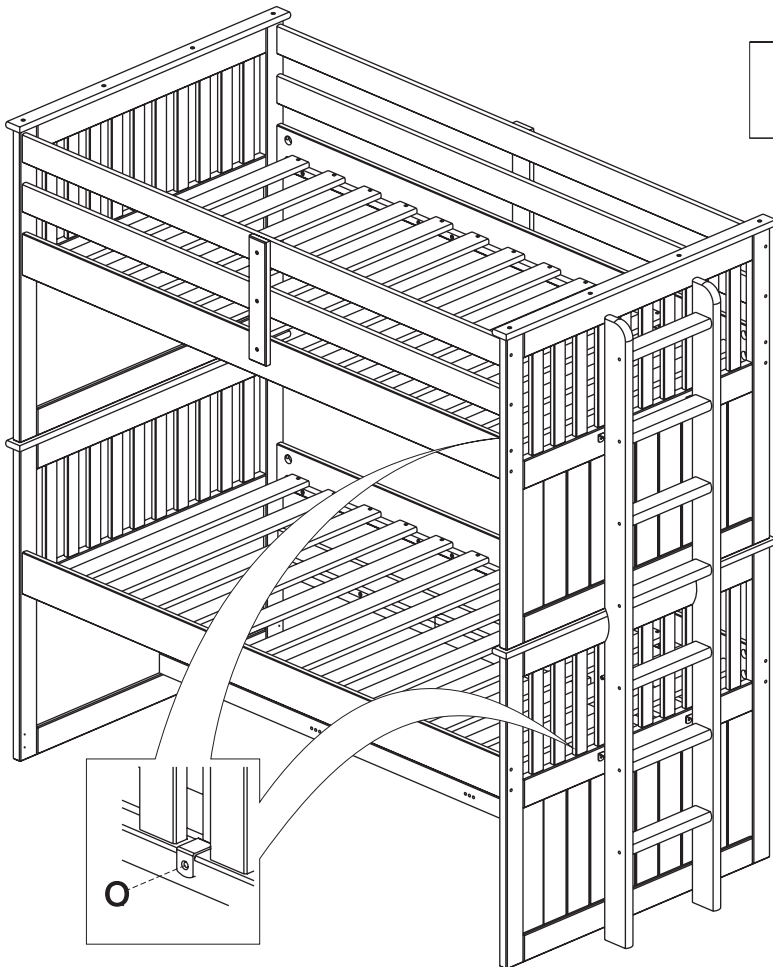



M		04
O		08

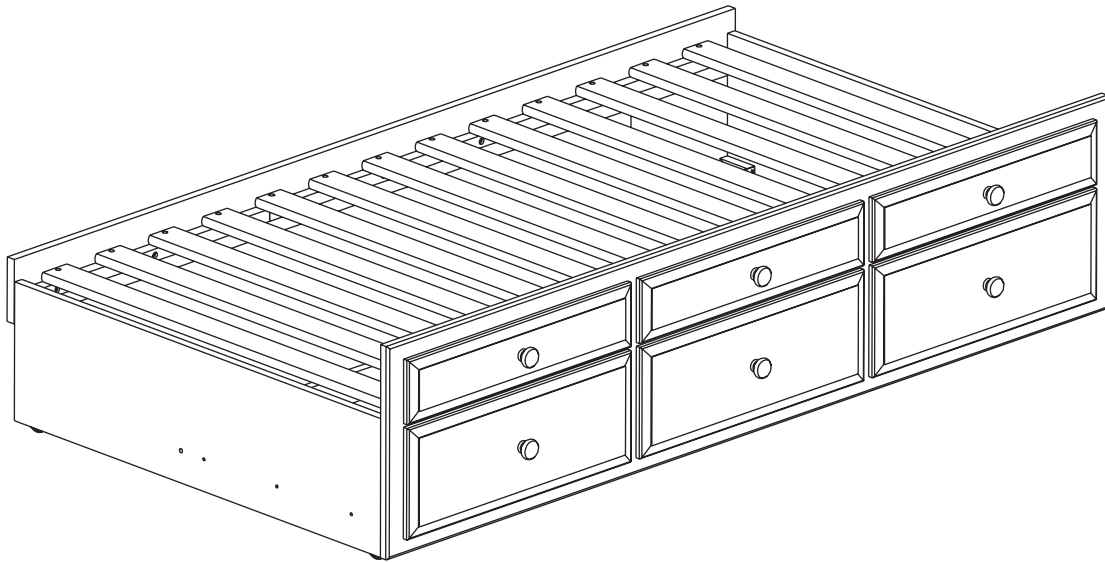
10



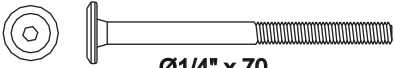

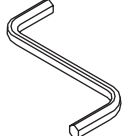
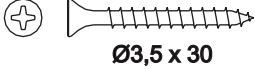
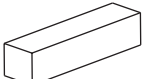
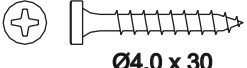
11

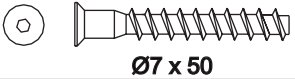

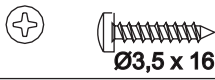
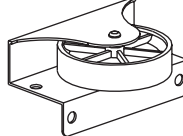
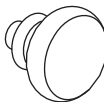
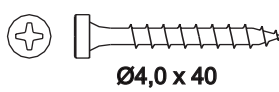


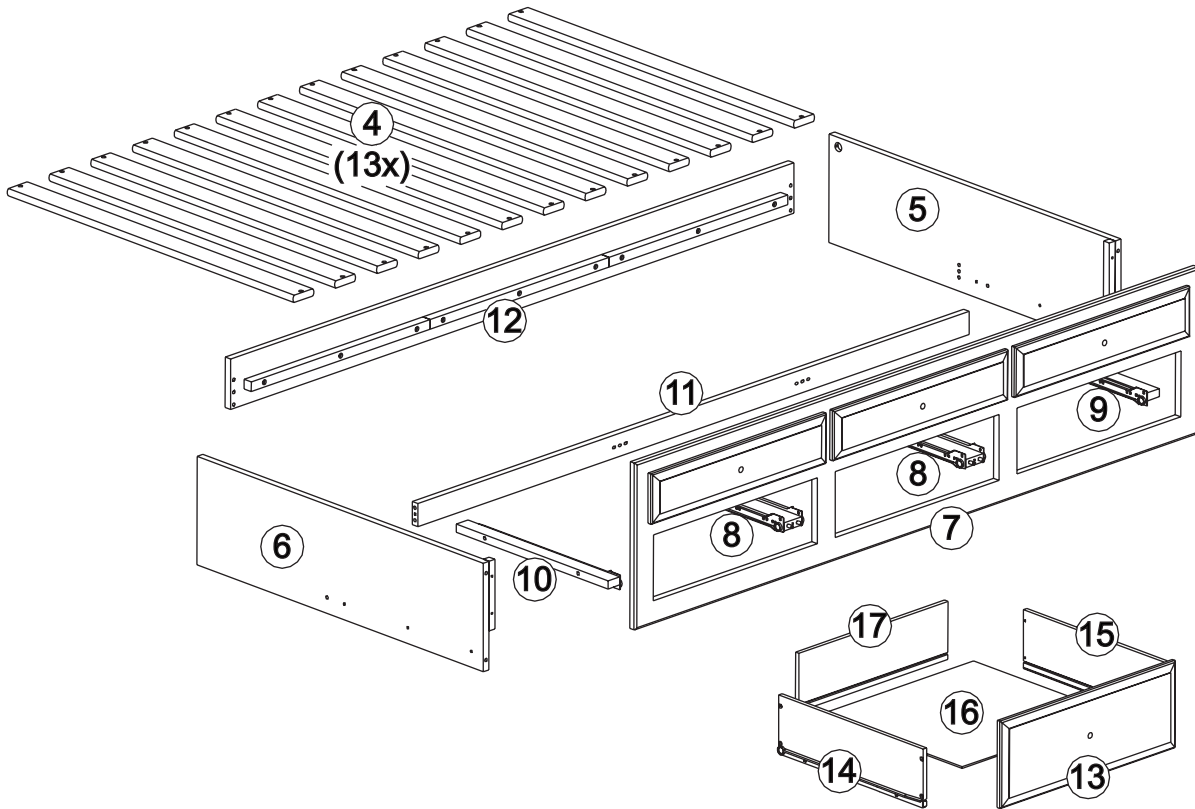
O	 Ø 3,5x25	04
---	---	----



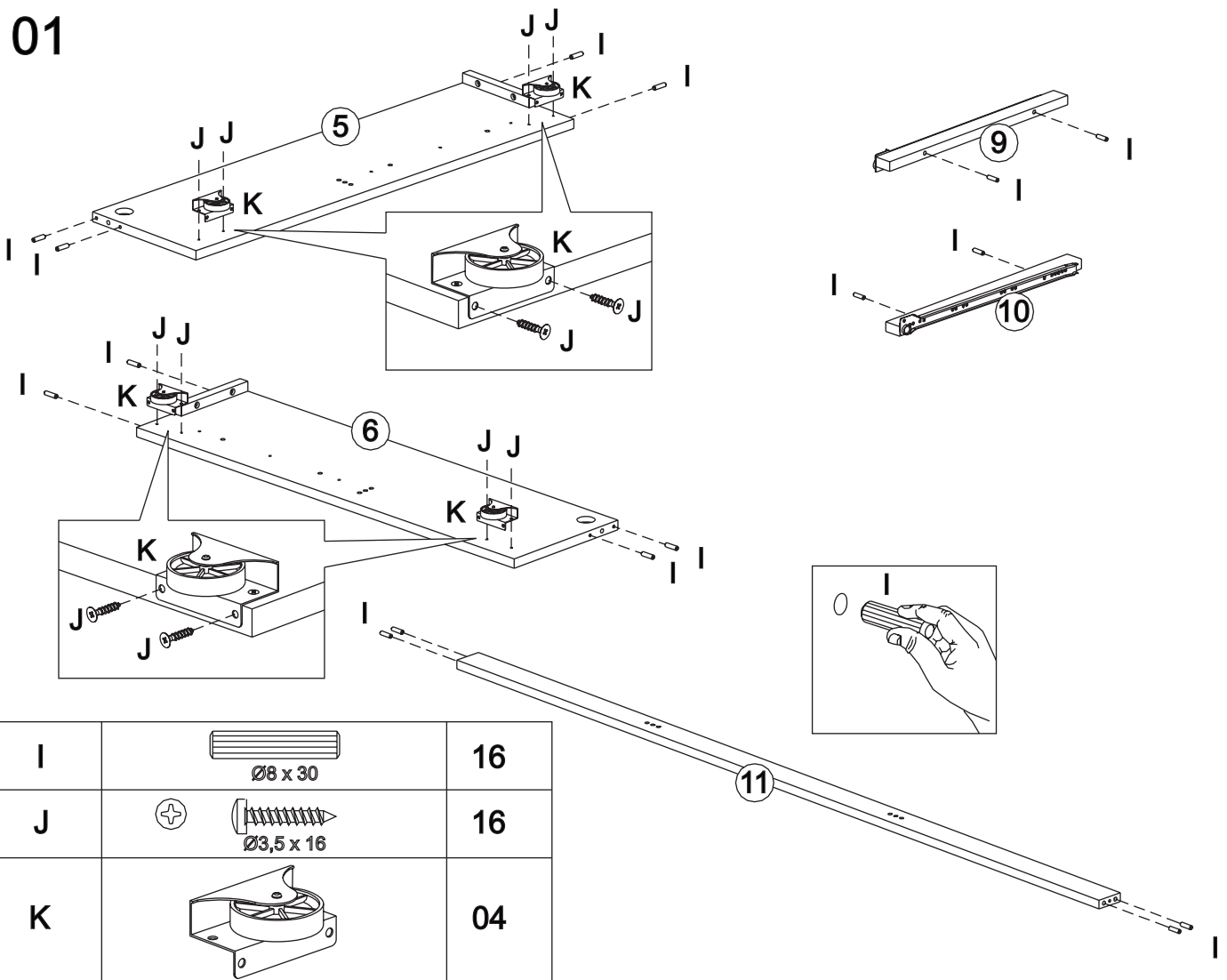
## HARDWARE



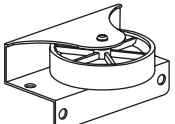
A	 Ø1/4" x 70	02
B		02
C		01
E	 Ø3,5 x 30	56
F		02
G	 Ø4,0 x 30	06

H	 Ø7 x 50	04
I	 Ø8 x 30	16
J	 Ø3,5 x 16	16
K		04
L		06
M	 Ø4,0 x 40	06

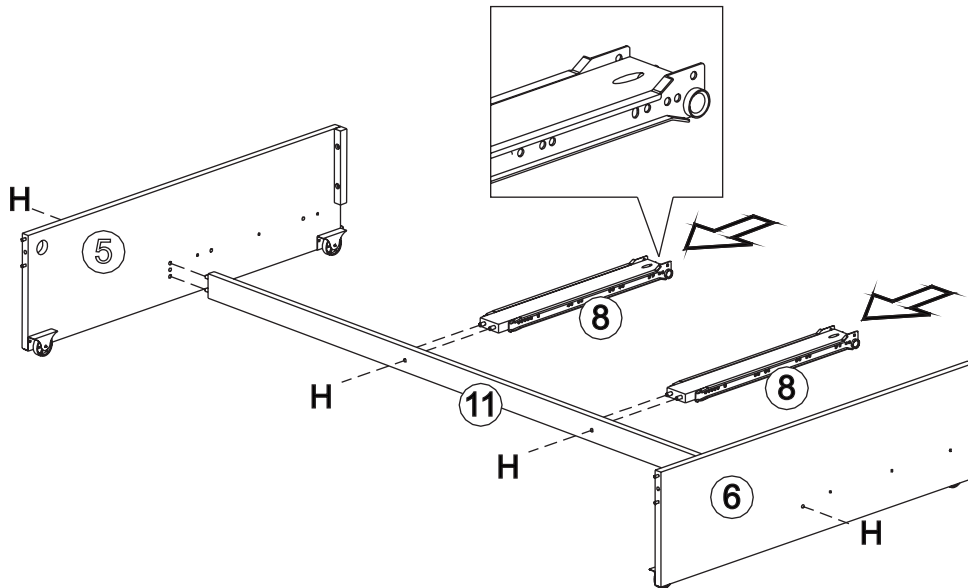




01



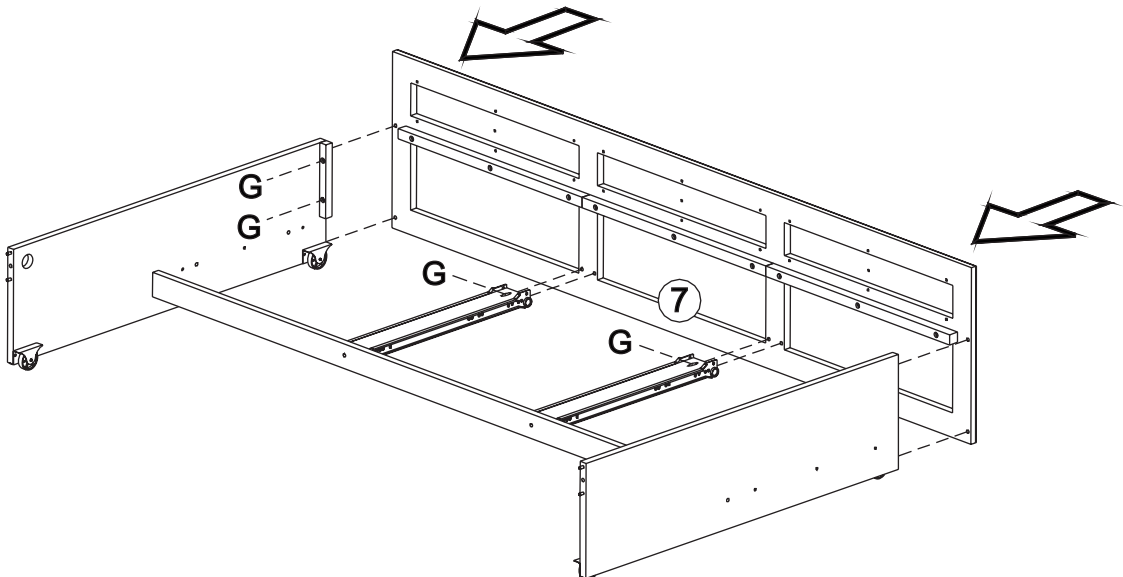
I		16
J		16
K		04



02



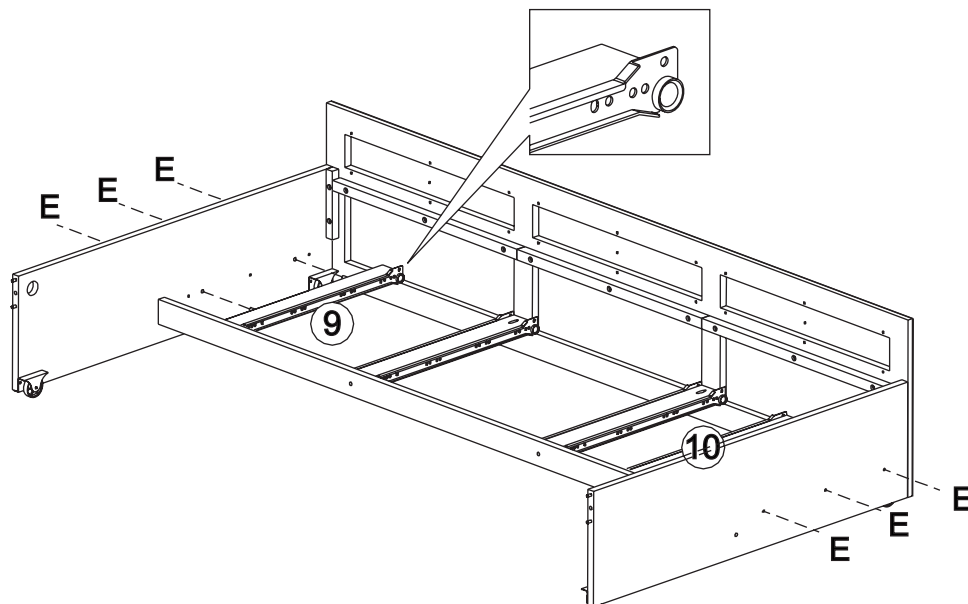
H	  Ø7 x 50	04
---	--	----


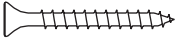
03



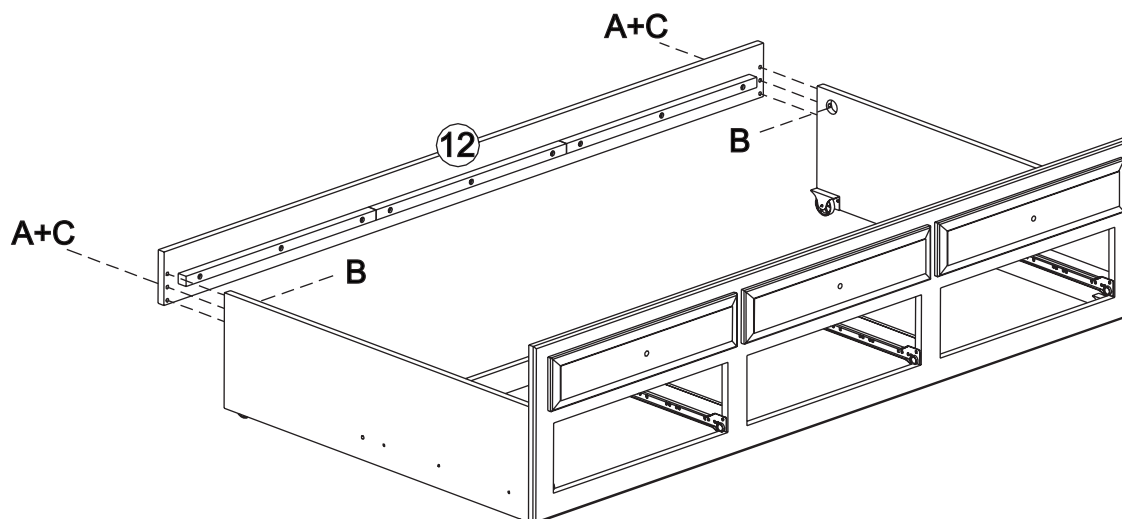
G	  Ø4,0 x 30	06
---	--	----




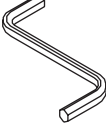
# 04



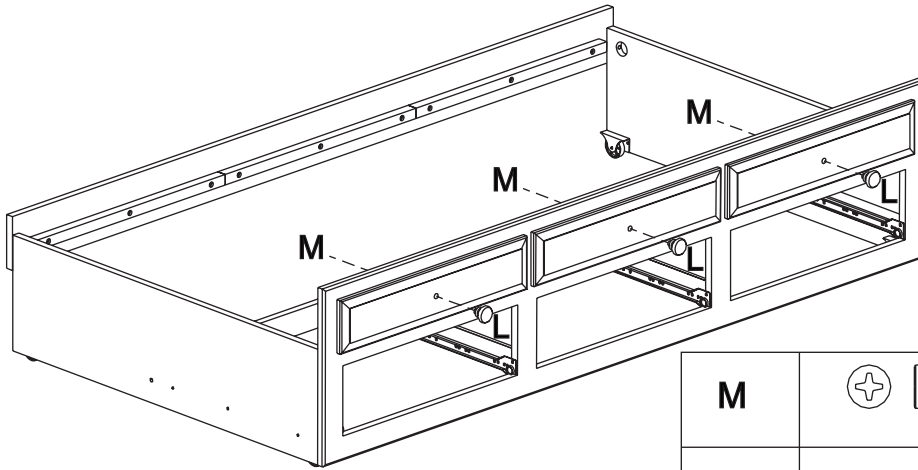
E	  Ø3,5 x 30	06
---	--	----


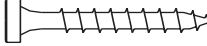
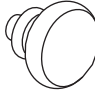
# 05






A	  Ø1/4" x 70	02
B		02
C		01

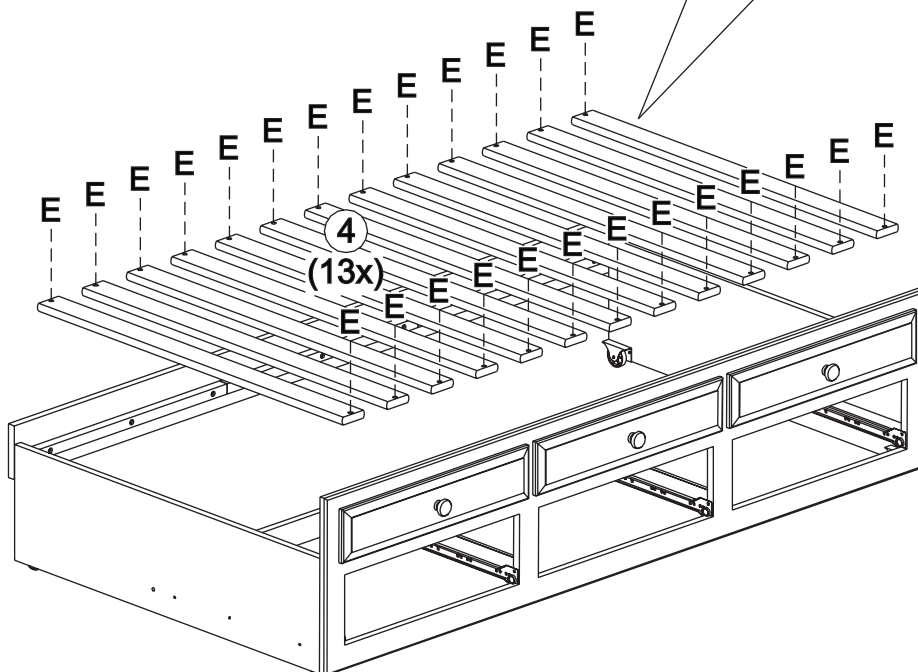
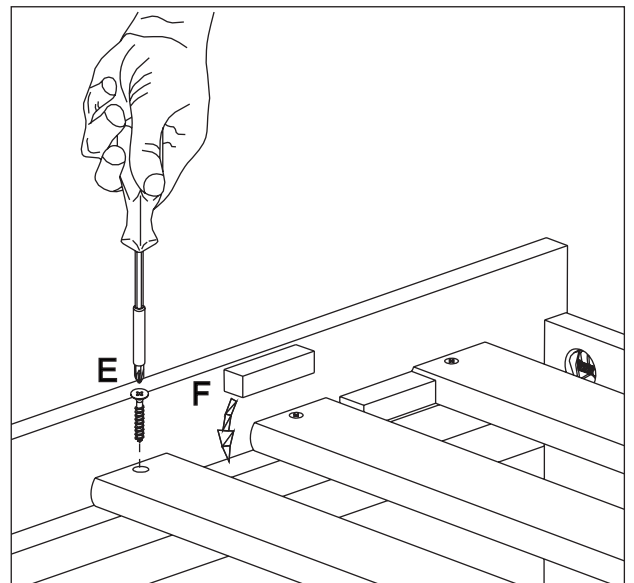
06



M	  Ø4,0 x 40	03
L		03

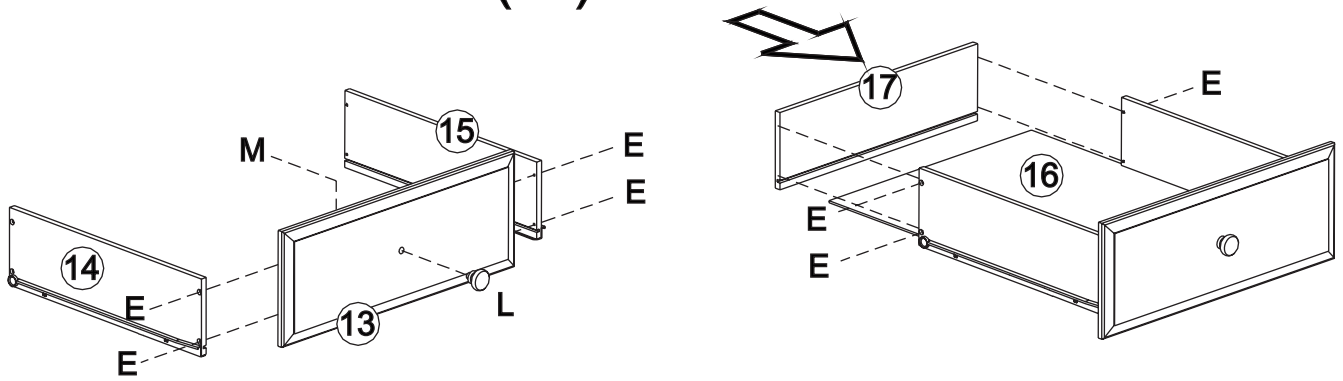
07


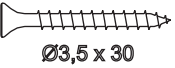

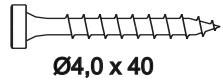
E	  Ø3,5 x 30	26
F		02




08

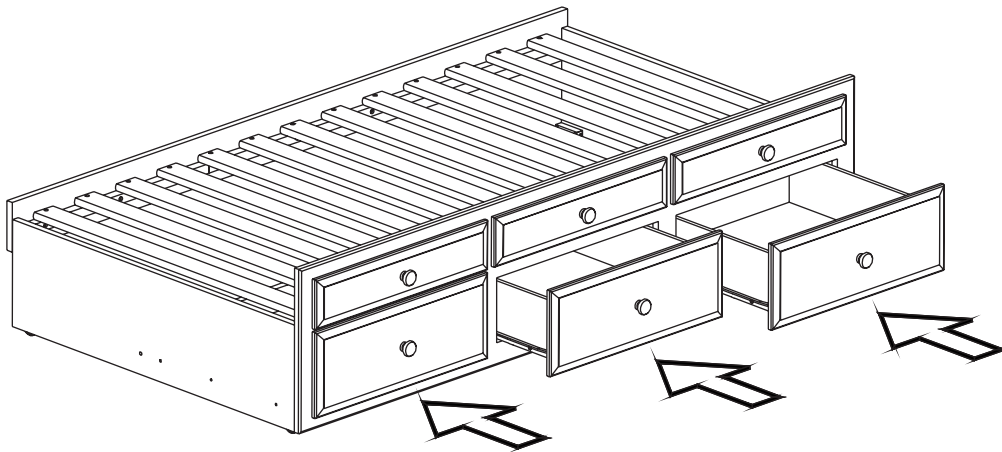
(3x)



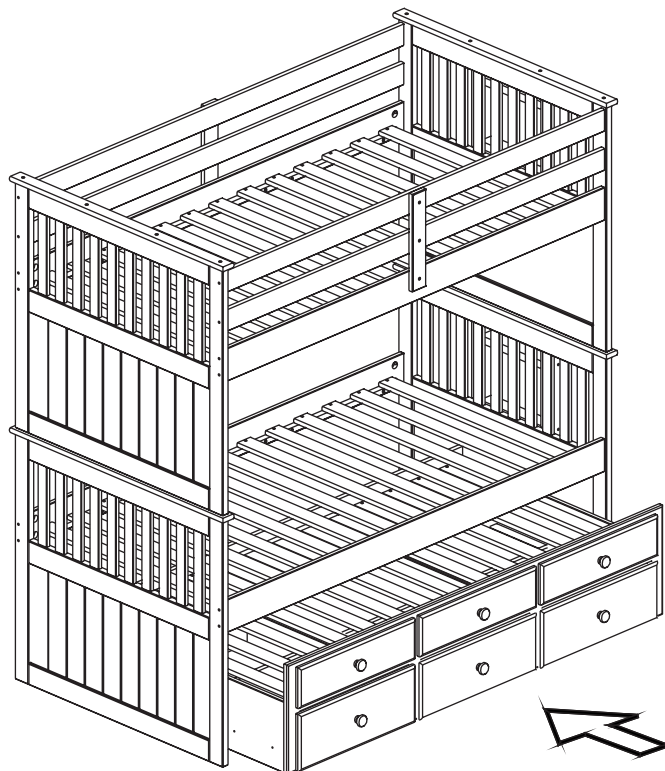
E	  Ø3,5 x 30	24
M	  Ø4,0 x 40	03

L		03
---	---	----

09



10



## **BEDDING SPECIFICATION**

- Always use the recommended size mattress or mattress support or both, to help prevent the likelihood of entrapment or falls.
- All Bedz King bunk beds are supplied with a complete slat kit, so there is no need for a foundation or bunkie board.

## **MATTRESS SIZES**

### Upper Bed Mattress Specifications:

- Only use a mattress that is 74" - 75" long and 37 1/2" - 38 1/2" wide on upper bunk.
- Ensure thickness of mattress and foundation combined does not exceed 9"

## **REPLACEMENT PARTS**

- Replacement parts, including additional guardrails may be obtained by contacting Bedz King LLC at [info@bedzking.com](mailto:info@bedzking.com)

## **ASSEMBLY TIPS**

- Power tools are not recommended for assembling your furniture
- Give yourself plenty of room to work
- Due to the size of this bunkbed, it must be assembled within the space it will occupy
- The assembly will require at least two people to complete
- Make sure all the fasteners are tight
- Take your time and read the instructions carefully