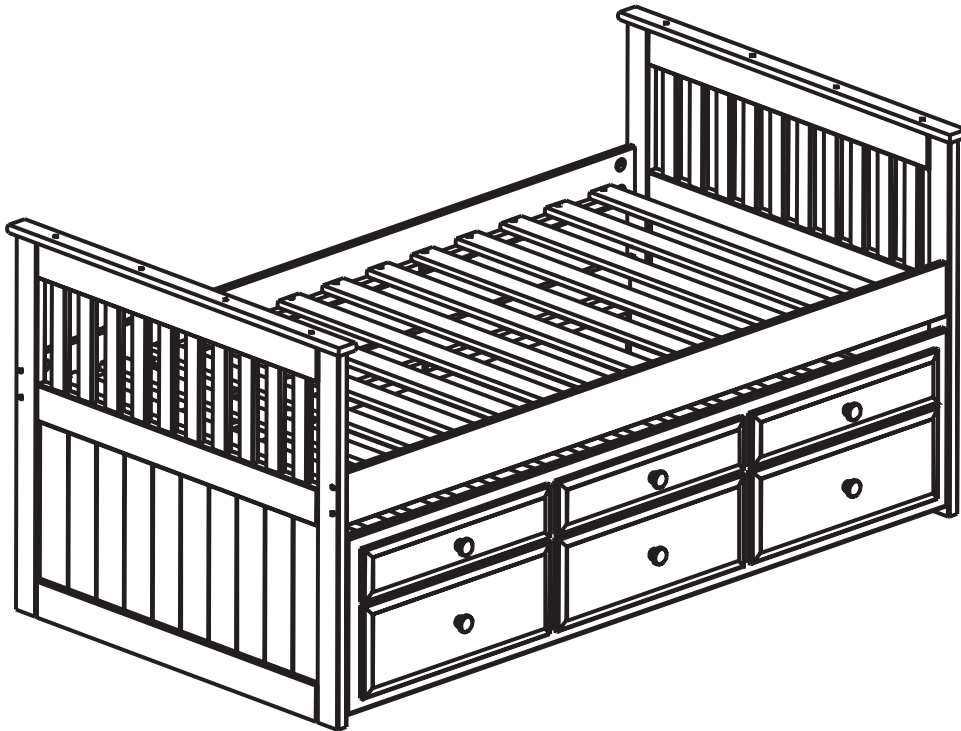


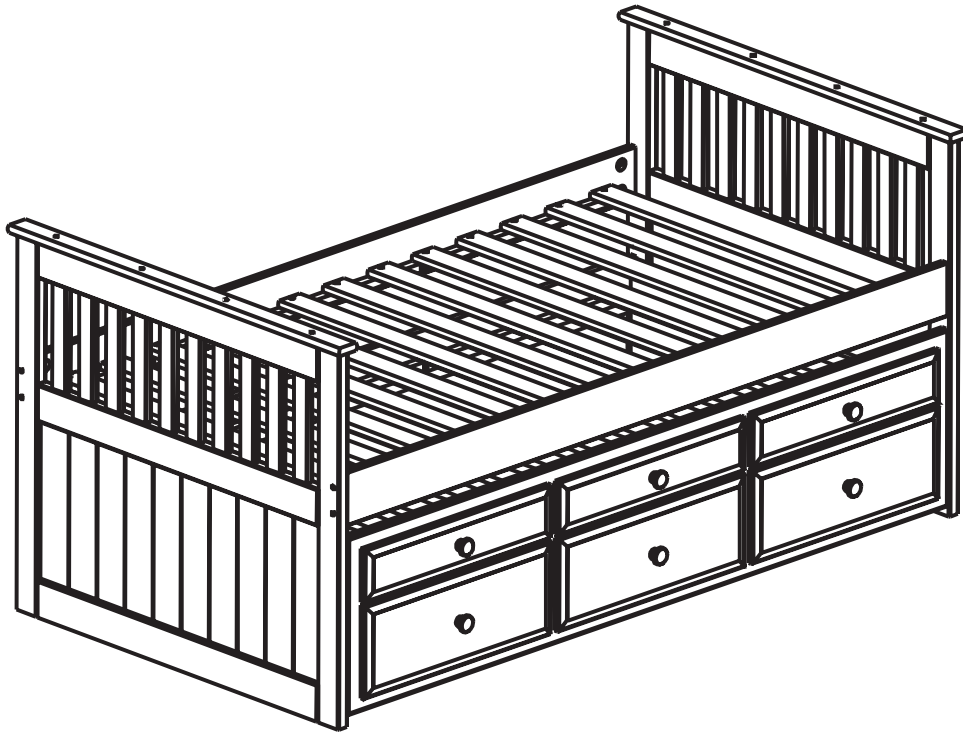


Captains Bed Twin with Twin Trundle and Drawer Bedz King BK 500

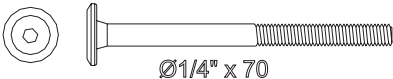

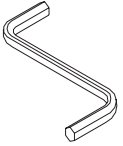

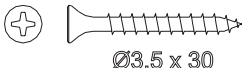
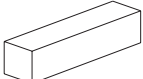


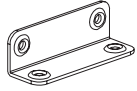



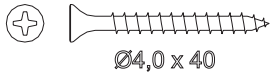
Thank you for purchasing your Furniture from Bedz King.

Every effort has been made to ensure your Furniture is of the finest quality. If you have any questions, please do not hesitate to contact us at info@bedzking.com

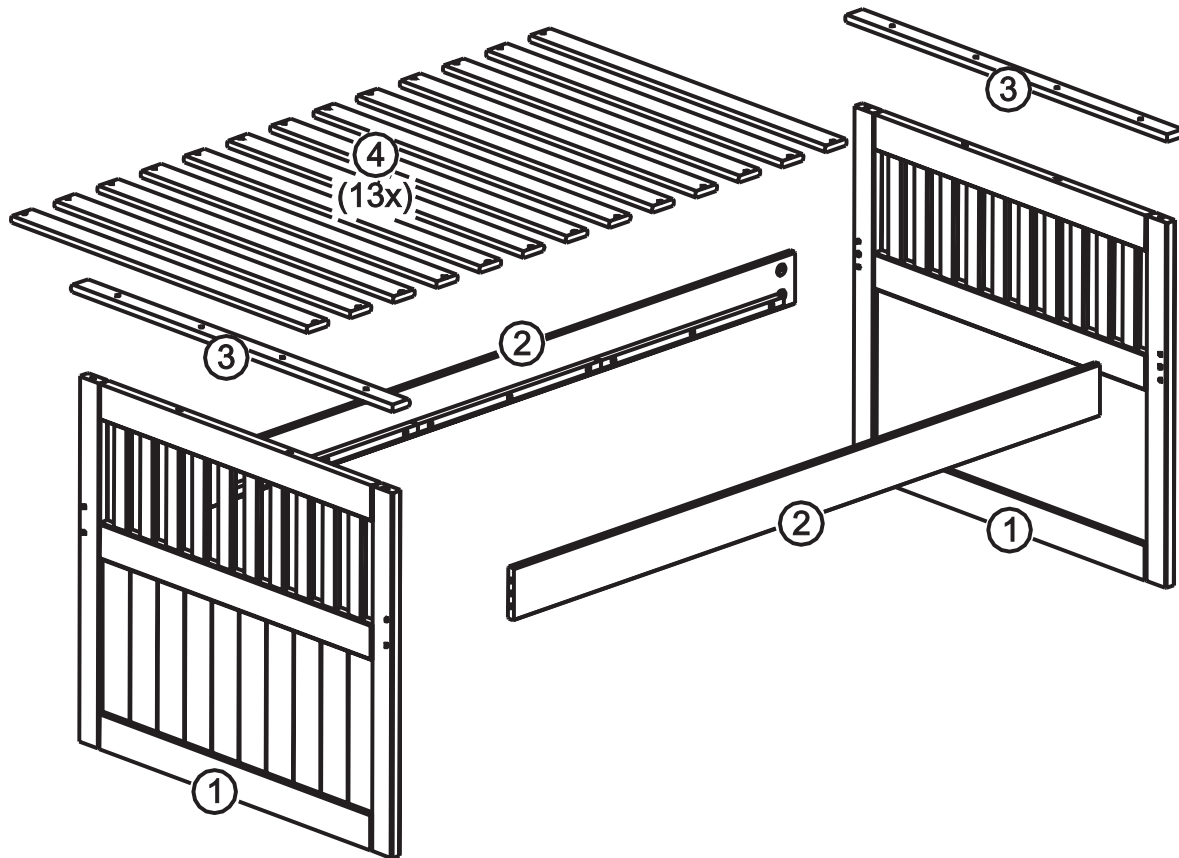


HARDWARE

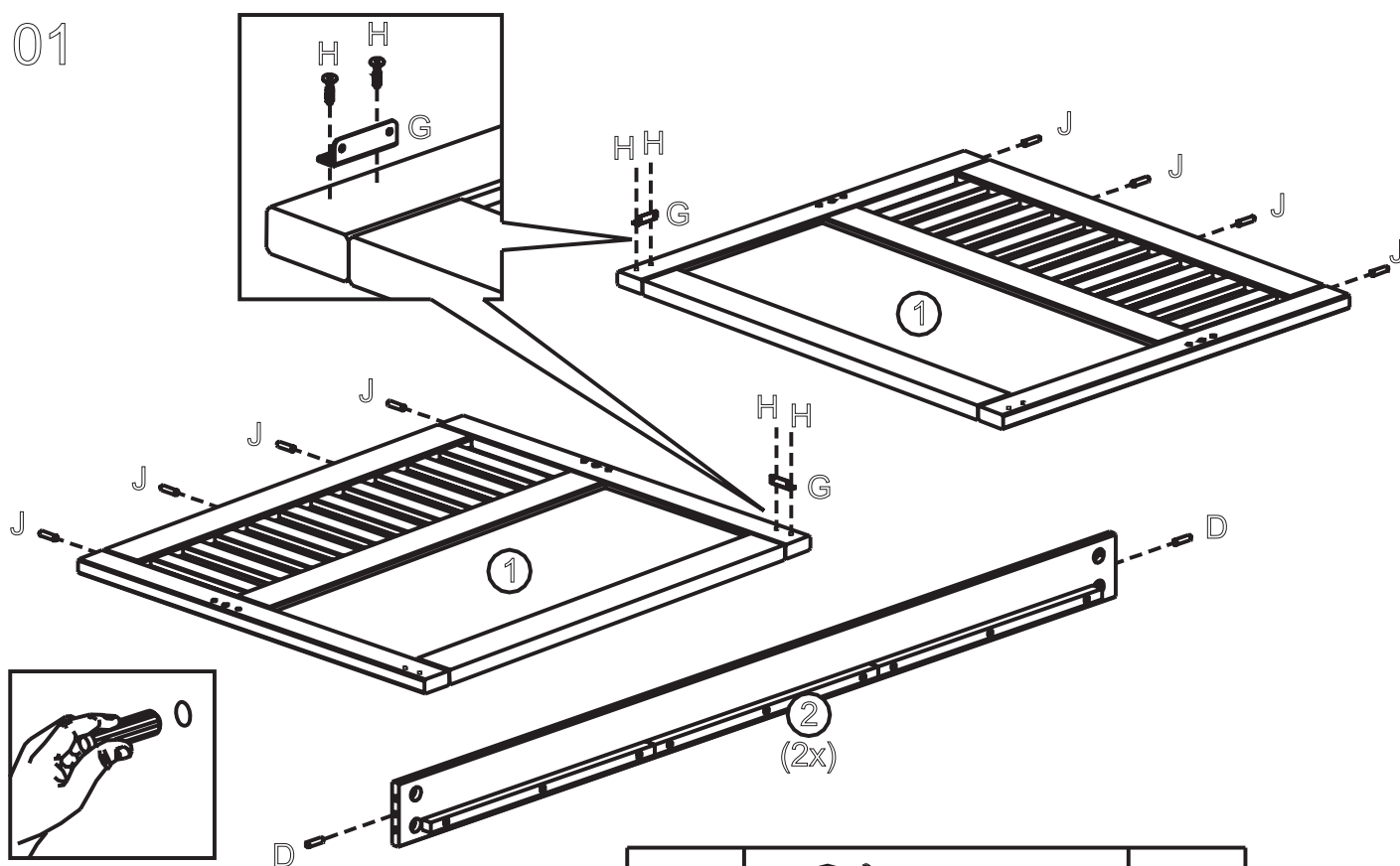
A	 Ø1/4" x 70	08
B		08
C		01
D	 Ø10 x 40	04
E	 Ø3,5 x 30	26
F		02



G		02
H	 Ø3,5 x 16	04
I	 Ø10mm	08
J	 Ø10 x 30	08
K	 Ø4,0 x 40	08



Letras
 Sim Não



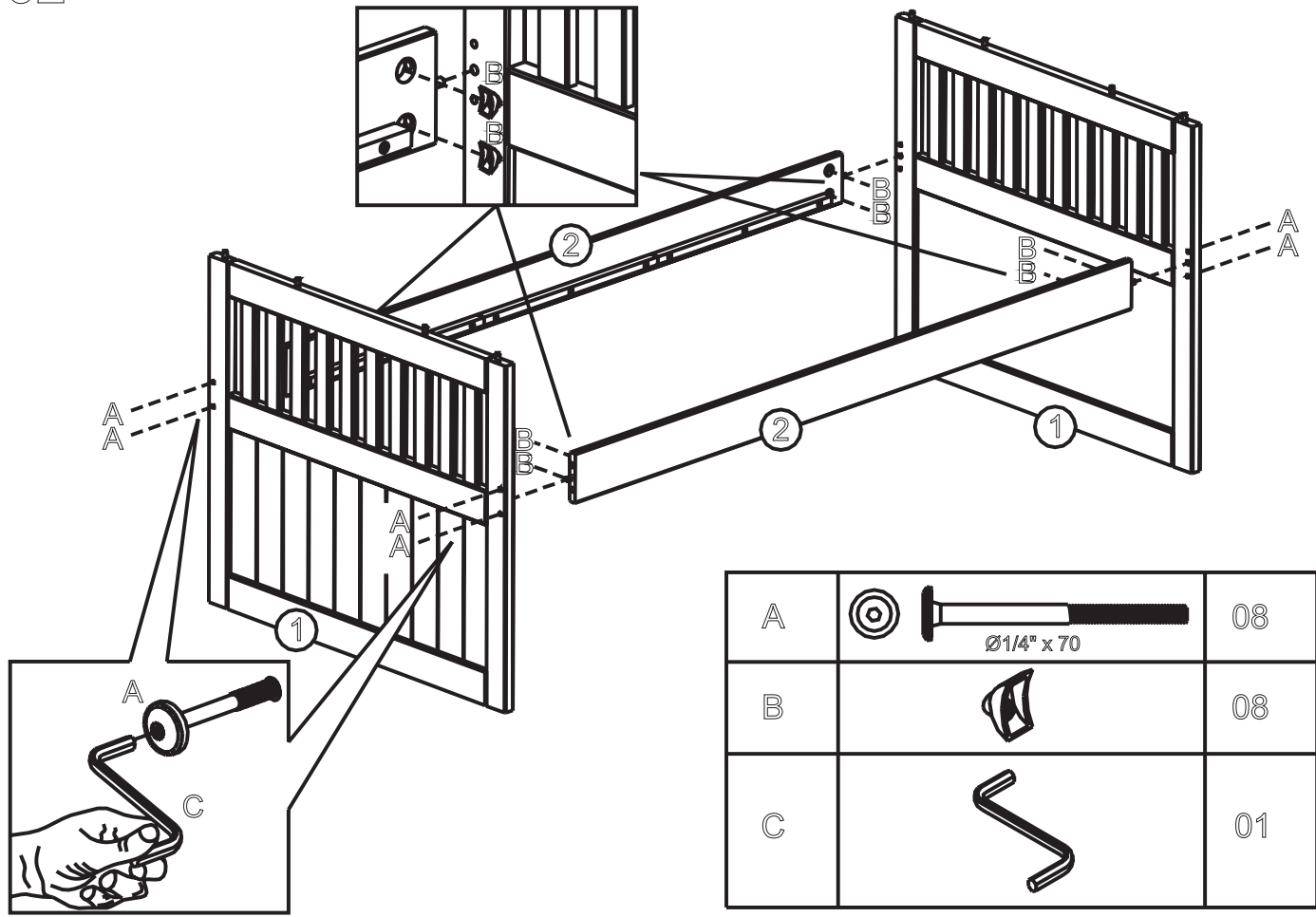
01



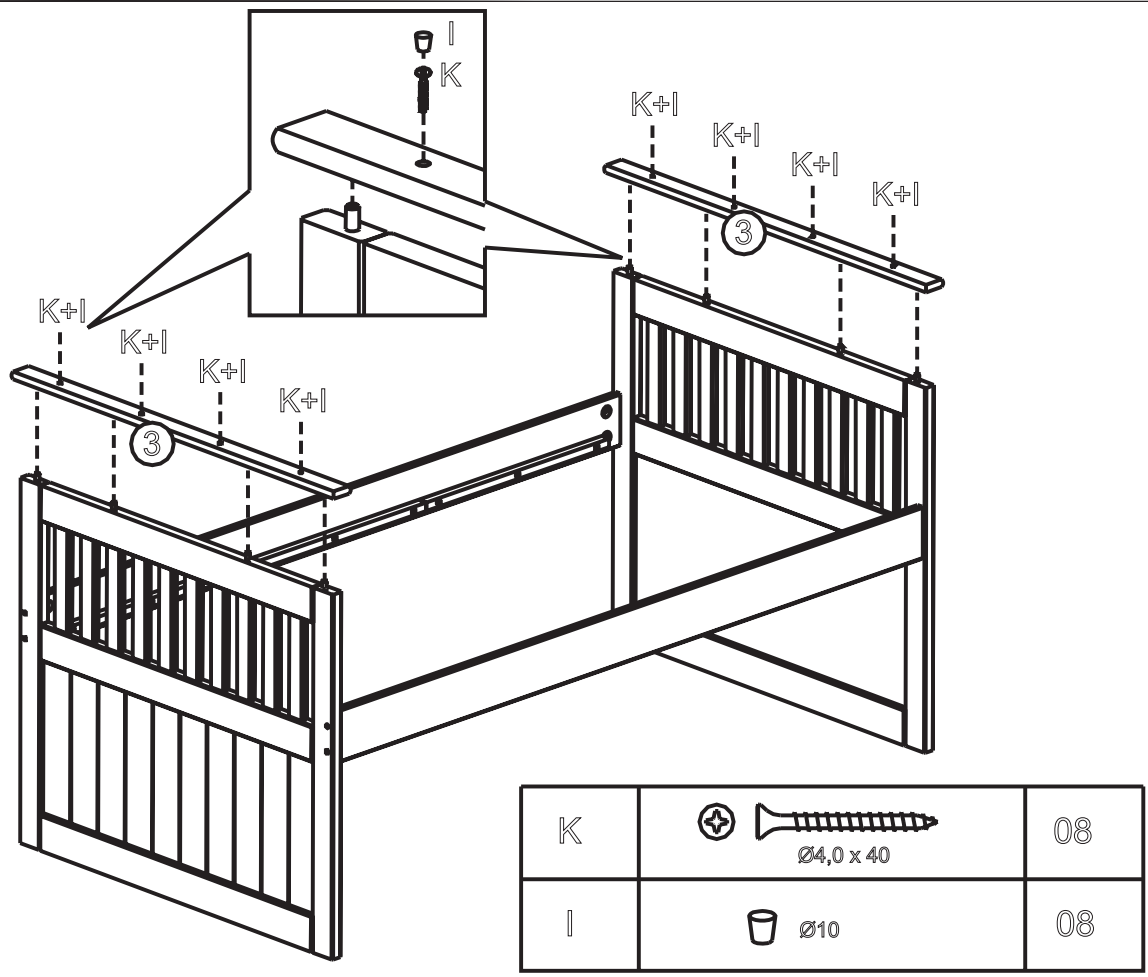
D		04
G		02

H		04
J		08

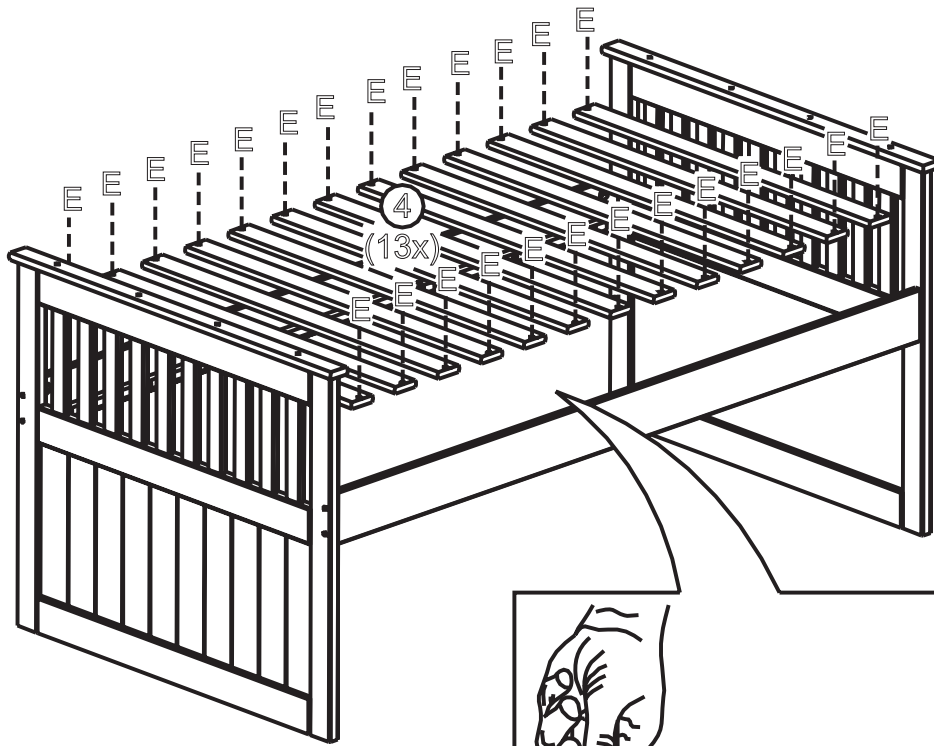
02






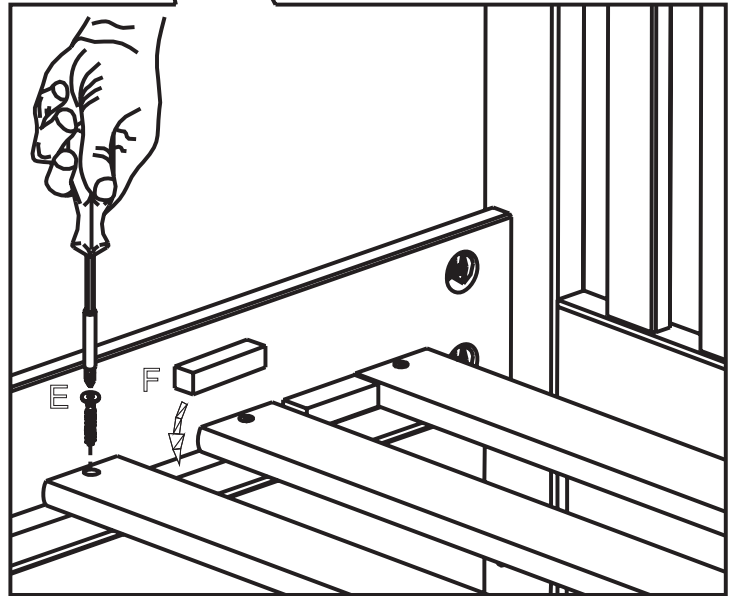
03



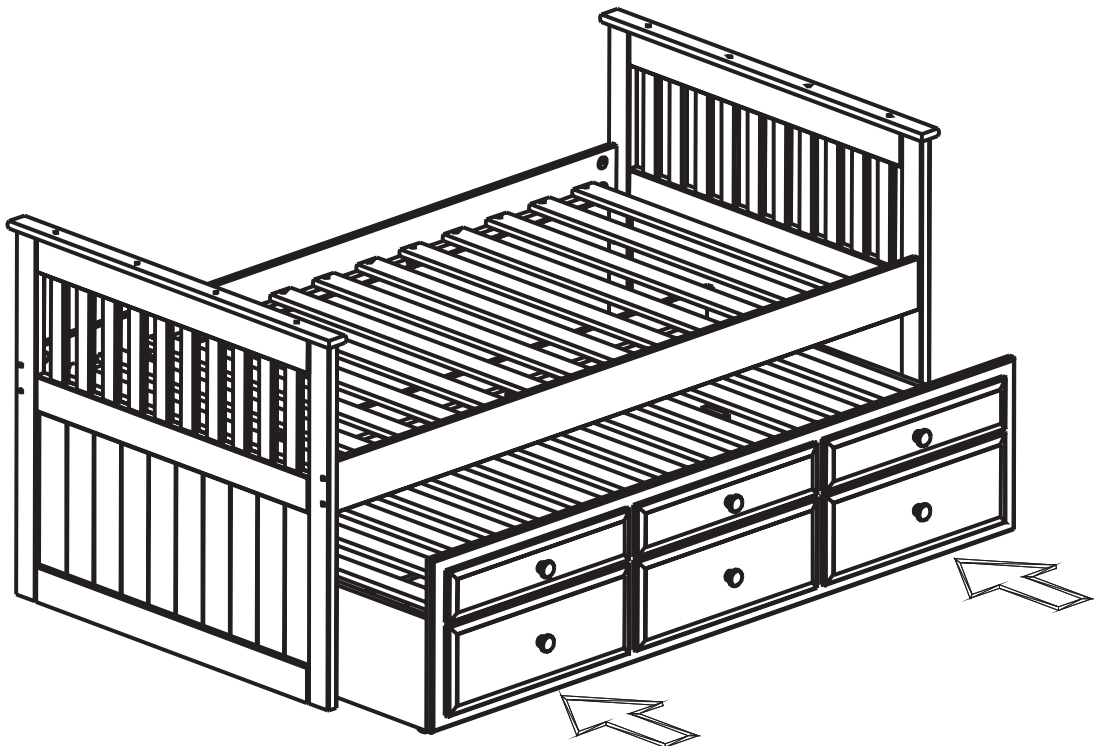
04

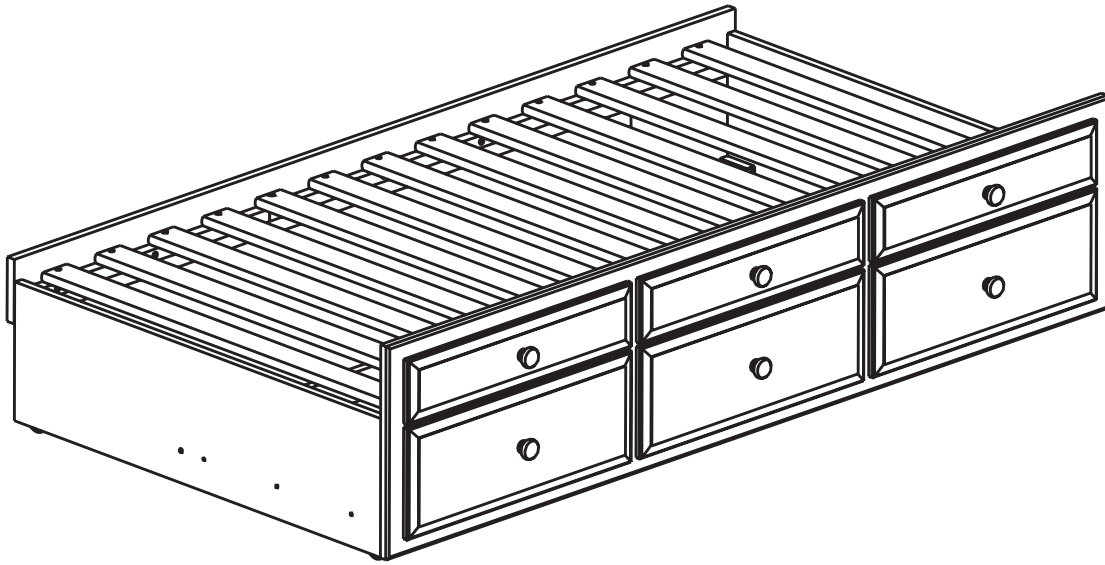


E	  Ø3,5 x 30	26
F		02

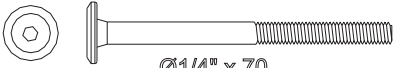

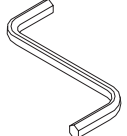
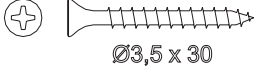
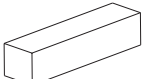
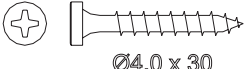


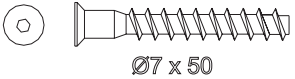


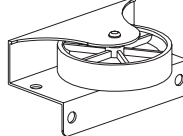

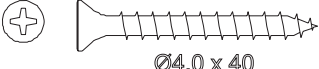
05



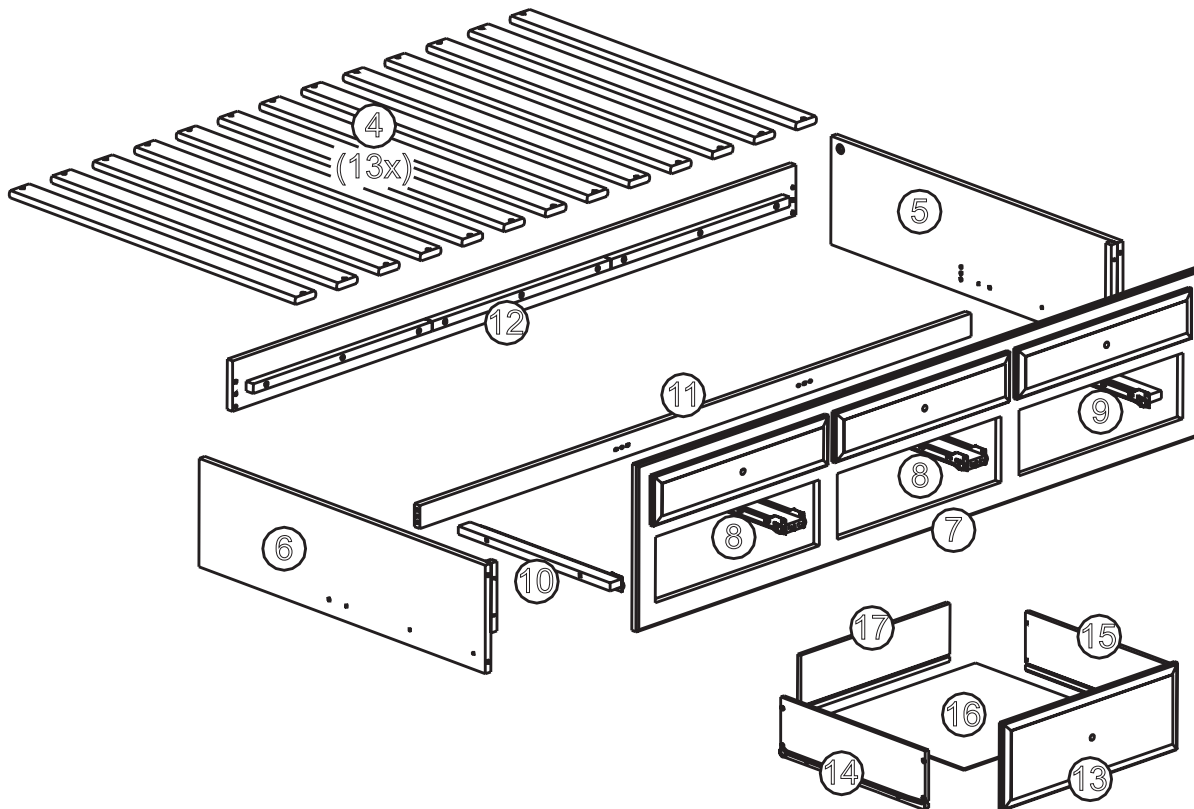


HARDWARE

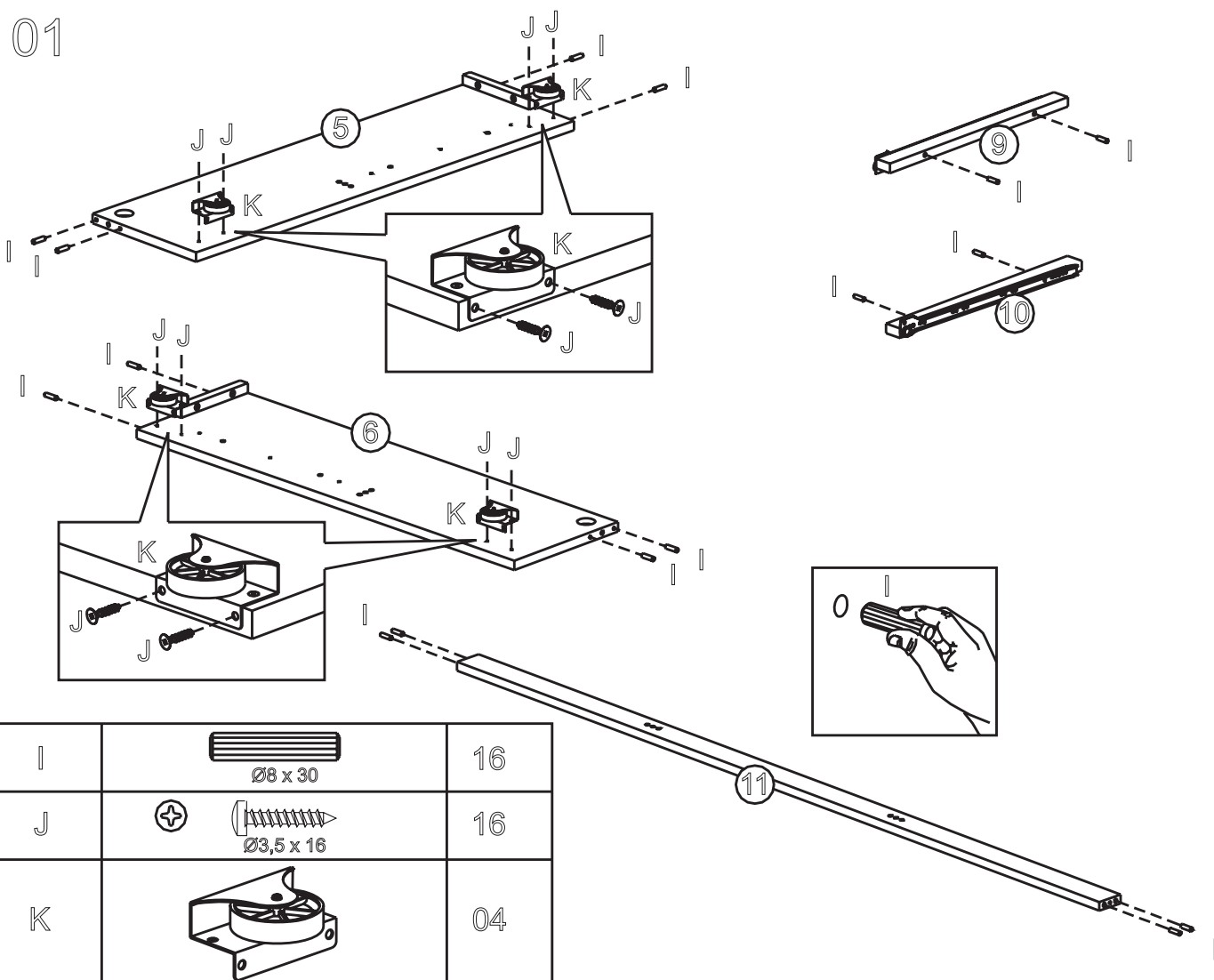
A	 Ø1/4" x 70	02
B		02
C		01
E	 Ø3,5 x 30	56
F		02
G	 Ø4,0 x 30	06




H	 Ø7 x 50	04
I	 Ø8 x 30	16
J	 Ø3,5 x 16	16
K		04
L		06
M	 Ø4,0 x 40	06

Letras
 Sim Não

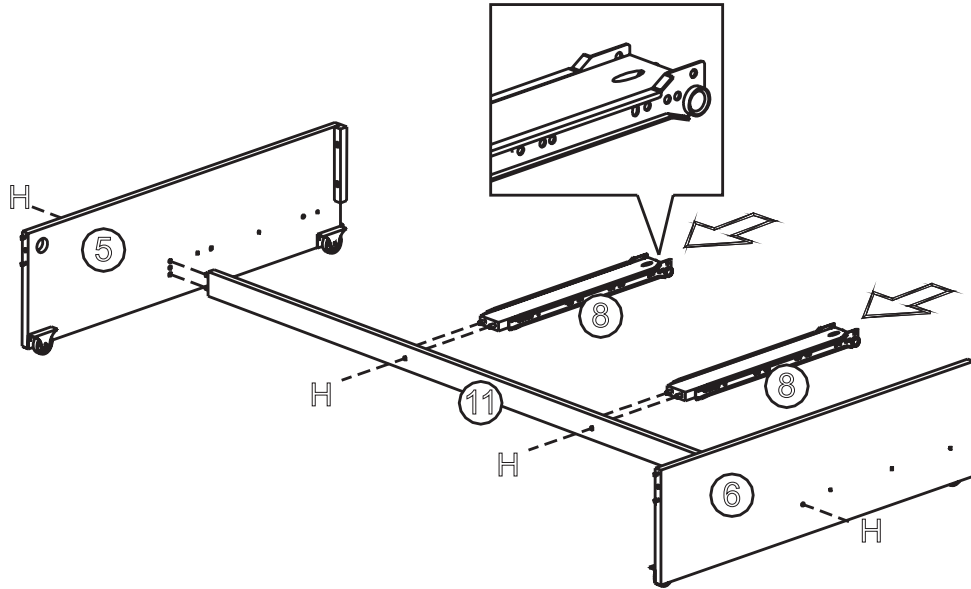



01



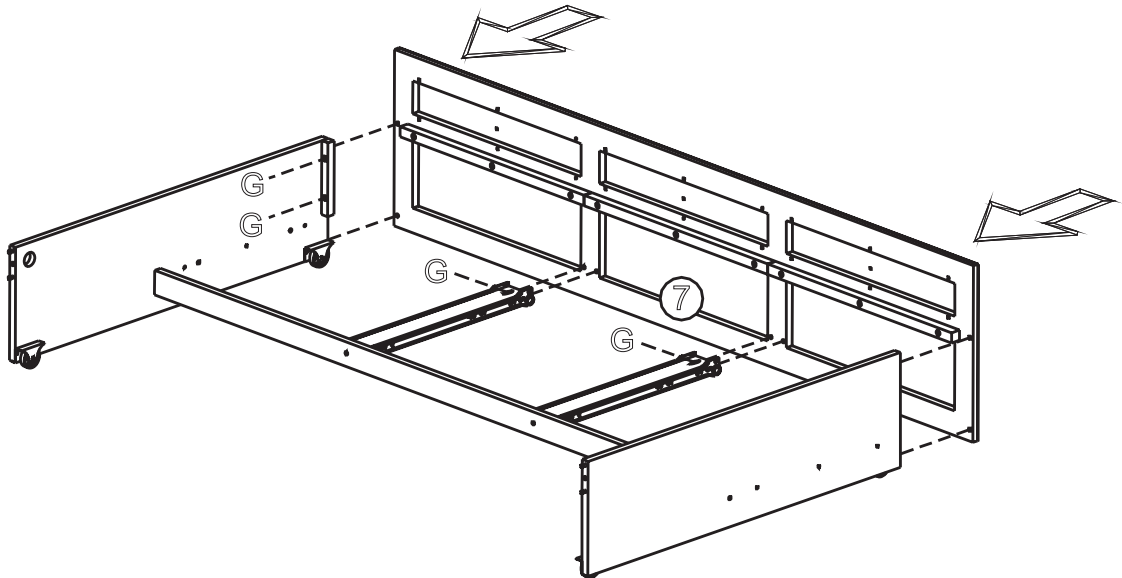
I	 Ø8 x 30	16
J	 Ø3,5 x 16	16
K		04



02



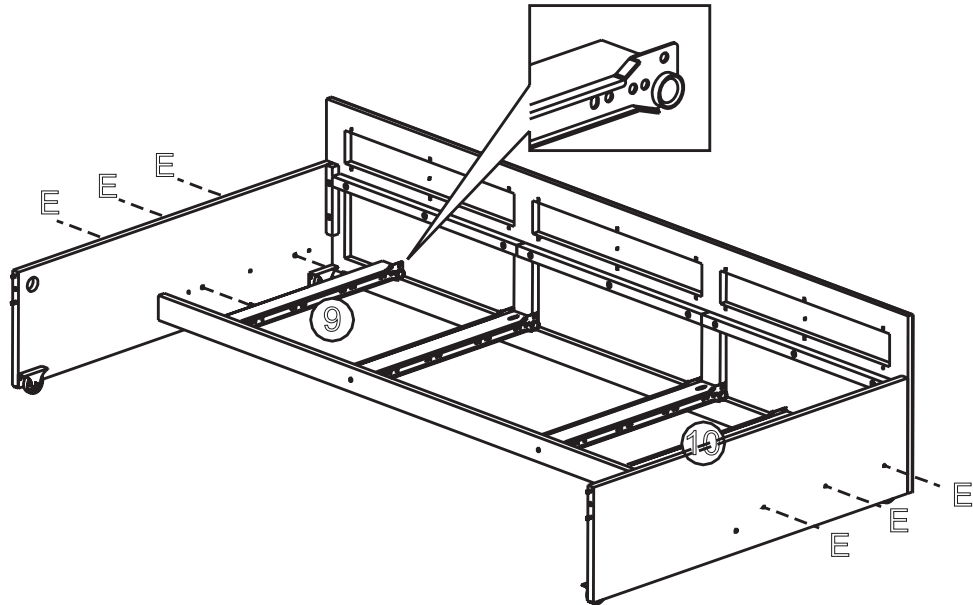
H	  	04
	$\varnothing 7 \times 50$	



03



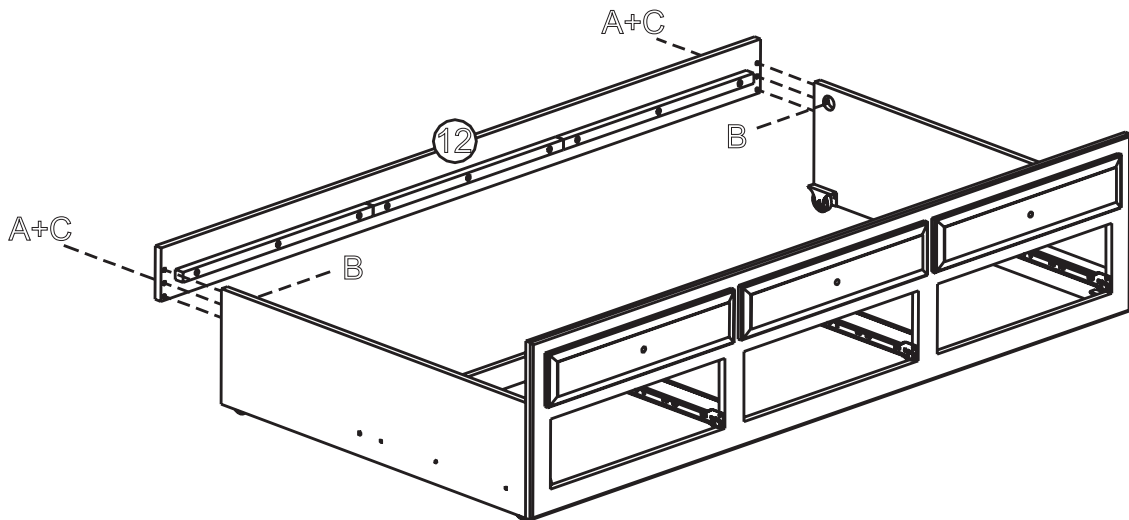
G	 	06
	$\varnothing 4,0 \times 30$	





04



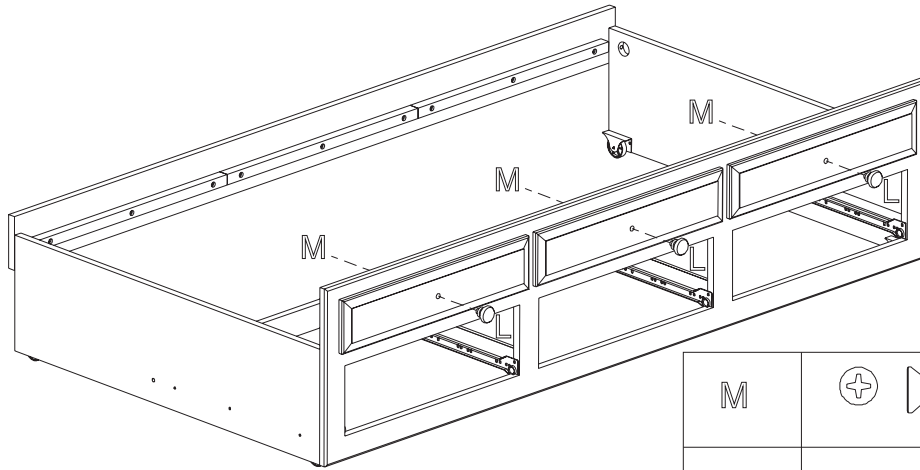
E	 	06
	Ø3,5 x 30	


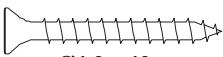
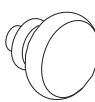
05




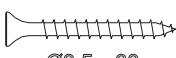

A	 	02
	Ø1/4" x 70	
B		02
C		01

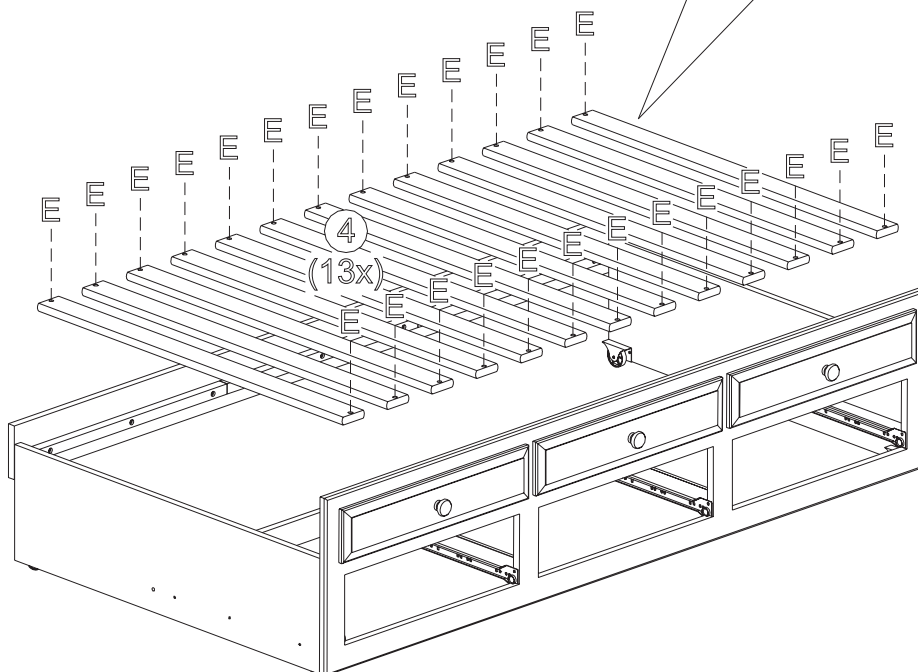
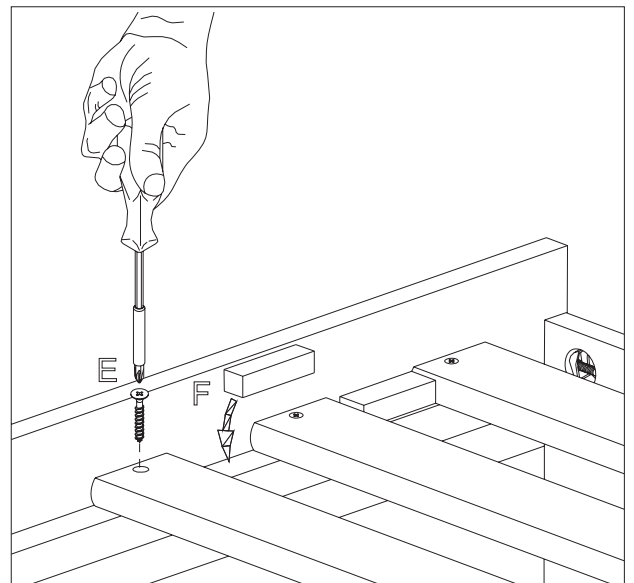
06



M	  Ø4,0 x 40	03
L		03

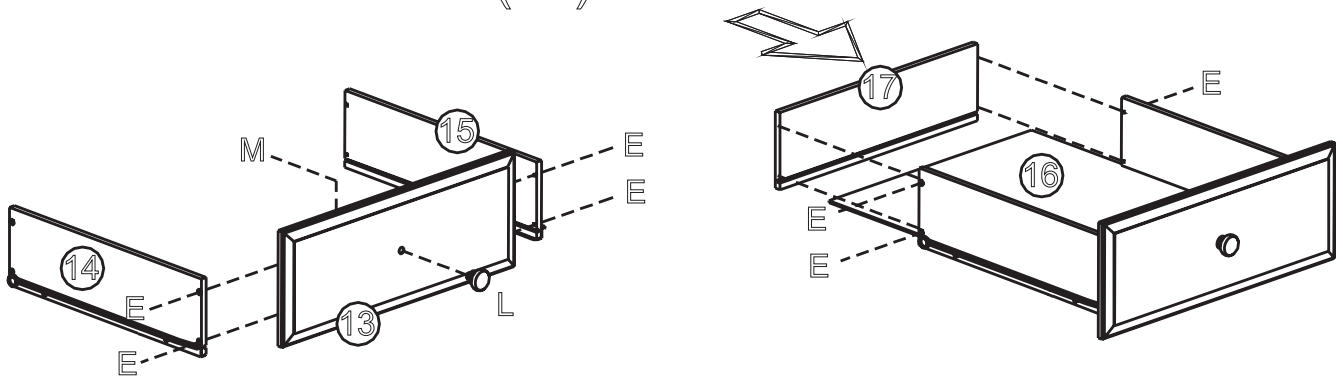
07




E	  Ø3,5 x 30	26
F		02



08

(3x)



E	 $\text{Ø}3,5 \times 30$	24
M	 $\text{Ø}4,0 \times 40$	03
L		03

09

