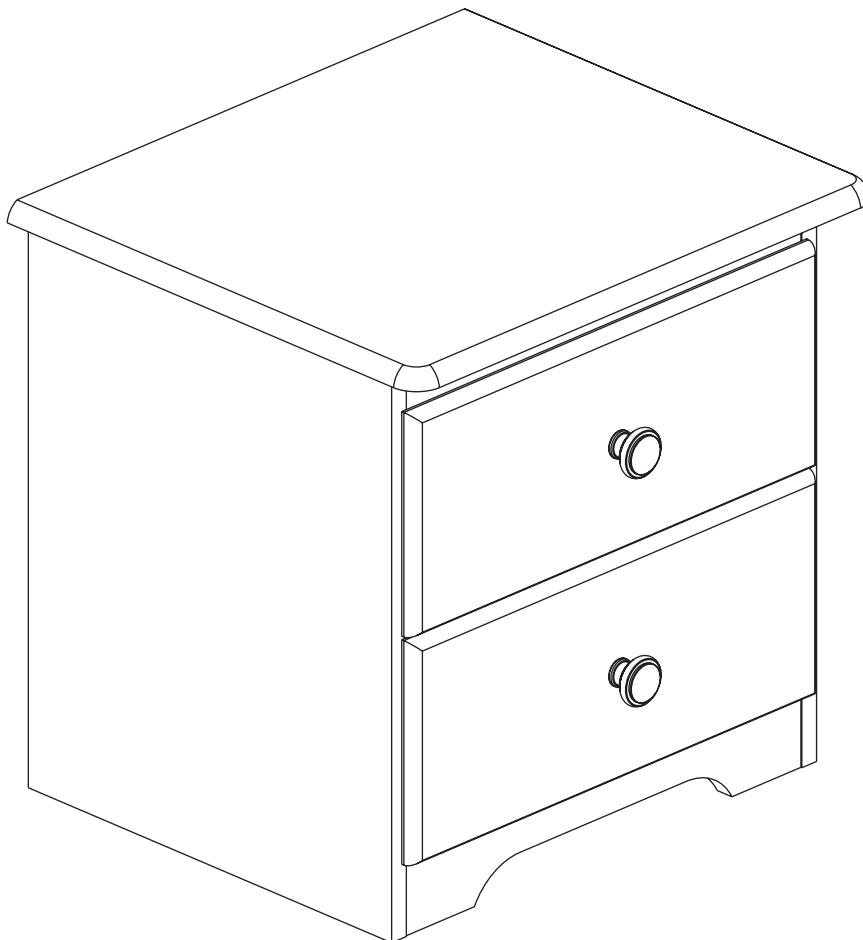


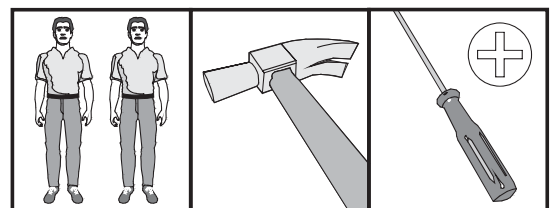
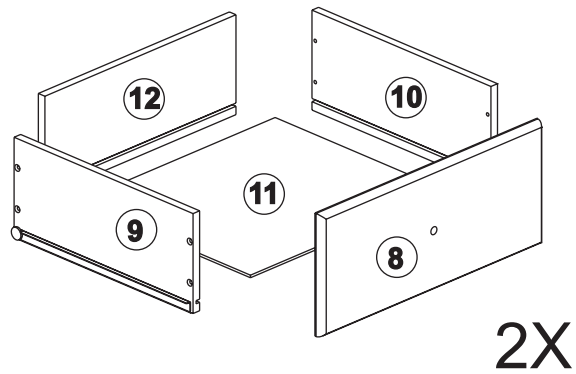
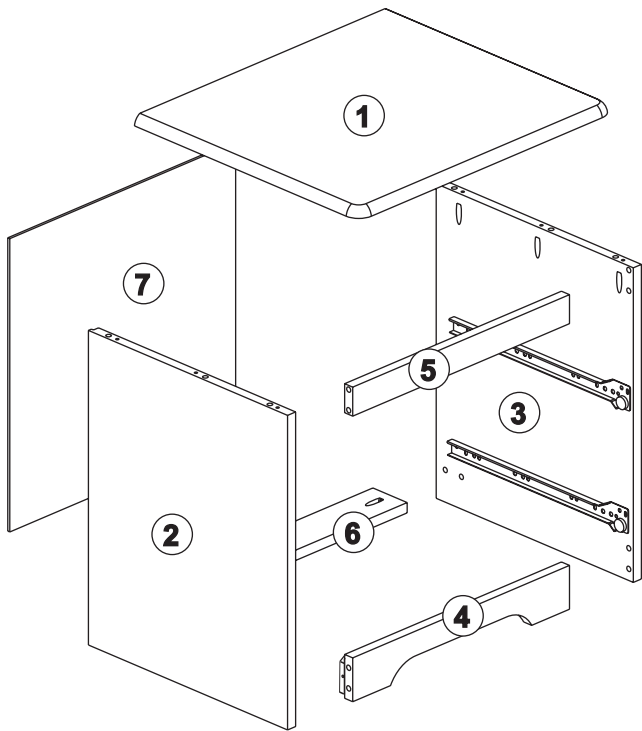


Nightstand - Bedz King BK 10



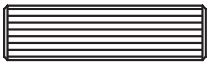

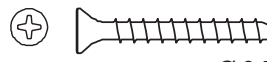
Thank you for purchasing your Furniture from Bedz King.

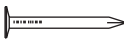
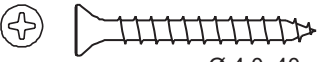

Every effort has been made to ensure your Furniture is of the finest quality. If you have any questions, please do not hesitate to contact us at info@bedzking.com



IDENTIFYING THE PARTS

TOOLS REQUIRED

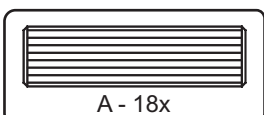
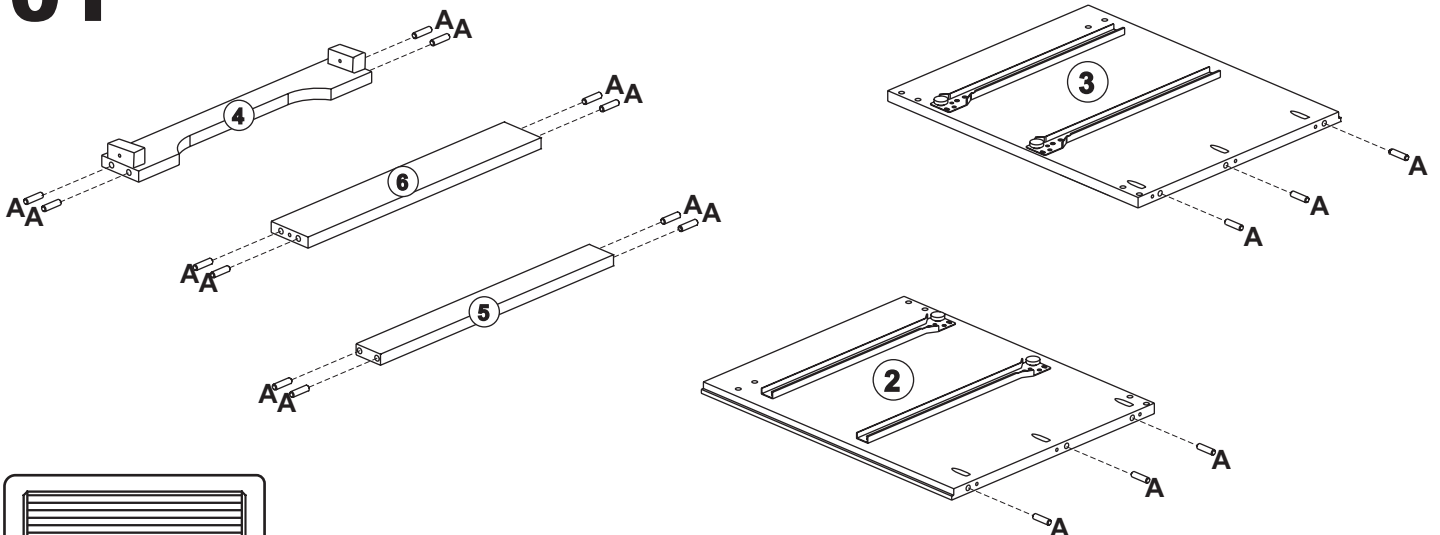
A	 Ø 8x30	18
B	 Ø 4,0x30	10
C	 Ø 3,5x30	16

D	 10X10	18
E	 Ø 4,0x40	02
F		02

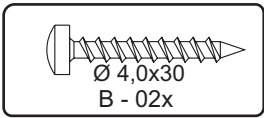
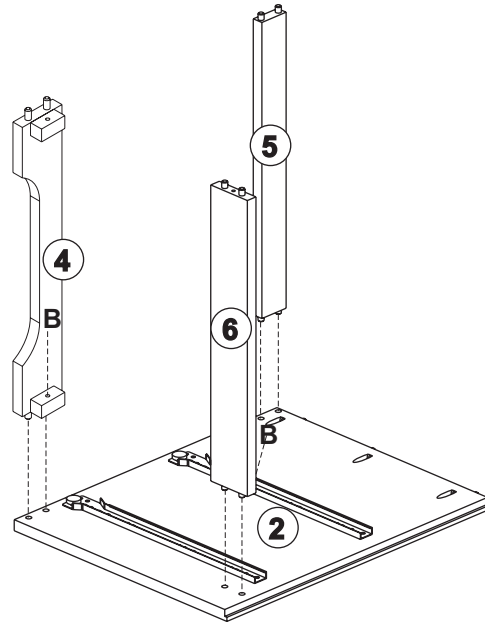
IDENTIFYING THE PARTS

Letras
 Sim Não

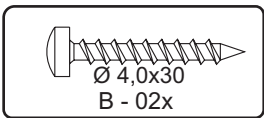
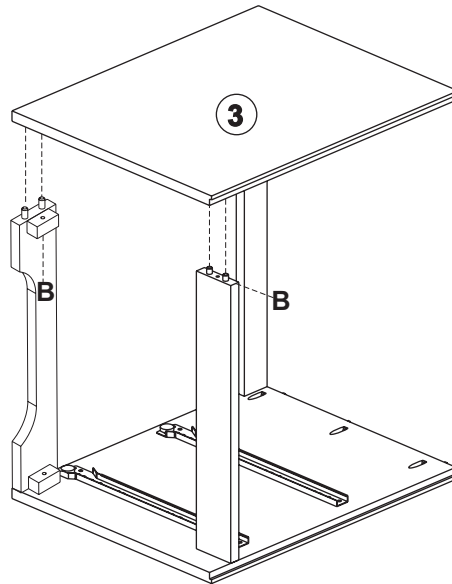
01



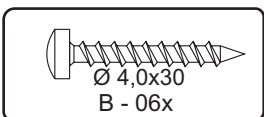
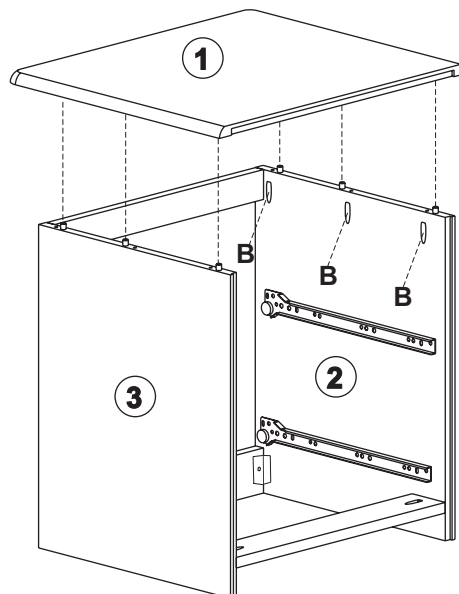
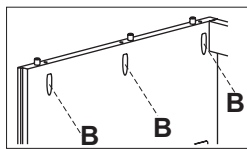
02



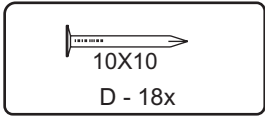
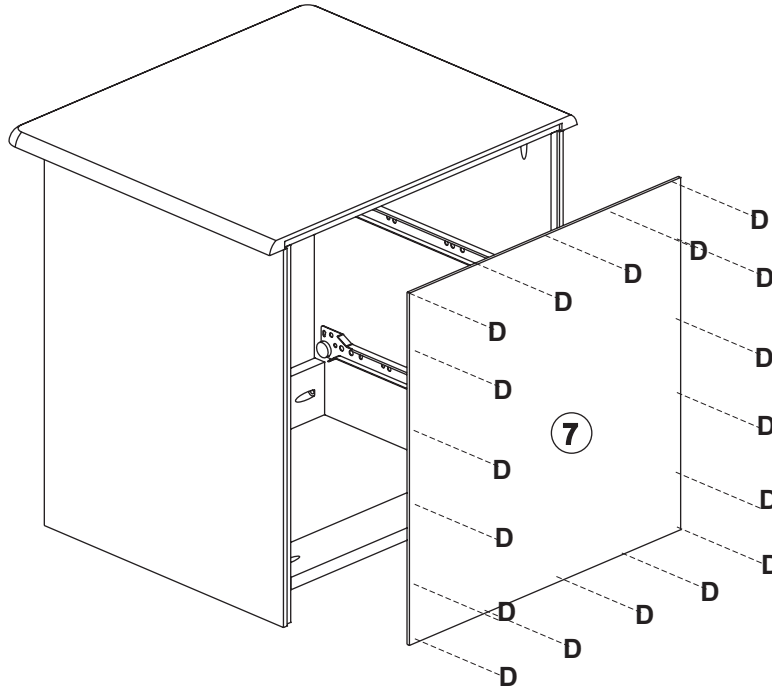
03



04

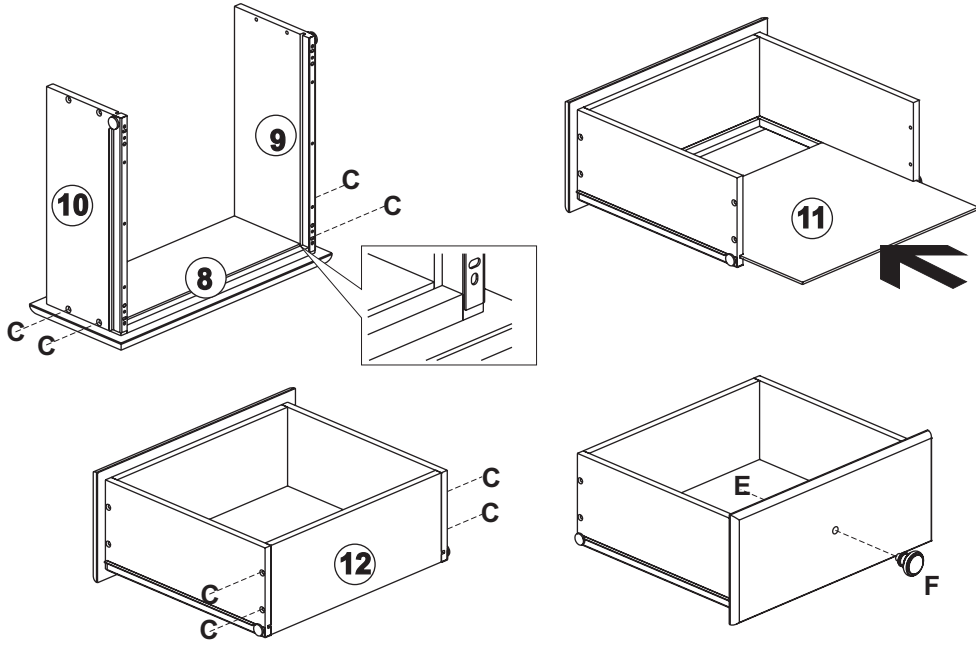
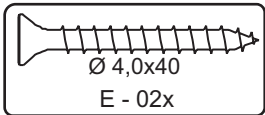
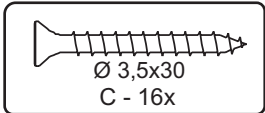
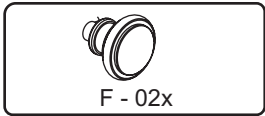


05



06

2X



07

